



- * TREAT EVERY PAINTBALL MARKER AS IF IT WERE LOADED. *
- * NEVER LOOK DOWN THE BARREL OF A PAINTBALL MARKER. *
- * KEEP THE LUXE® MARKER ON SAFE (POWER OFF) UNTIL READY TO SHOOT. *
- * KEEP YOUR FINGER OFF THE TRIGGER UNTIL READY TO SHOOT. *
- * NEVER POINT THE LUXE® MARKER AT ANYTHING YOU DON'T WISH TO SHOOT. *
- * DO NOT SHOOT FRAGILE OBJECTS SUCH AS WINDOWS. *
- * KEEP THE BARREL BLOCKING DEVICE ON THE LUXE® MARKER'S MUZZLE WHEN NOT SHOOTING. *
- * ALWAYS REMOVE PAINTBALLS AND DEGAS THE LUXE® MARKER BEFORE DISASSEMBLY. *
- * STORE AND TRANSPORT THE LUXE® MARKER UNLOADED AND DEGASSED IN A SECURE PLACE. *
- * FOLLOW ALL MANUFACTURER'S WARNINGS AND INSTRUCTIONS FOR PROPELLANT *
SOURCE HANDLING, STORAGE, AND FILLING.





LUXE

PREMIUM ELECTROPNEUMATIC MARKER

LUXE® MARKER IS COVERED BY ONE OR MORE OF THE FOLLOWING U.S. PATENTS:
5,881,707; 5,967,133; 6,035,843; 6,474,326; 6,637,421; 7,100,593.
OTHER PATENTS PENDING. FOREIGN PATENTS GRANTED AND PENDING.
©2014 DLX TECHNOLOGY GROUP. ALL RIGHTS RESERVED.

**THE PRECAUTION LIST AND OPERATOR'S MANUAL
MUST ALWAYS ACCOMPANY THE PRODUCT IN THE EVENT
OF RESALE OR NEW OWNERSHIP.**

✧ LUXE OLED EDITION ✧ REV 1.1

WHILE EVERY EFFORT HAS BEEN MADE TO ENSURE THAT THE INFORMATION
CONTAINED IN THIS GUIDE IS ACCURATE AND COMPLETE, NO
LIABILITY CAN BE ACCEPTED FOR ERRORS OR OMISSIONS.
DLX TECHNOLOGY GROUP RESERVES THE RIGHT TO
CHANGE THE SPECIFICATIONS OF THE LUXE® MARKER
AT ANY TIME WITHOUT PRIOR NOTICE. THE LATEST
VERSION OF THIS MANUAL MAY BE DOWNLOADED
FREE OF CHARGE AT LUXEPAINTBALL.COM.



CONTENTS

- 1.1 QUICK START ✖ ✖ ✖ 6 ✖
- 1.2 INSTALLING THE BARREL BLOCKER ✖ ✖ ✖ 9 ✖
- 1.3 SELECTING AND INSTALLING A LOADER ✖ ✖ ✖ 9 ✖
- 1.4 HANDLING THE LiPo BATTERY ✖ ✖ ✖ 9 ✖

1

ORIENTATION

WELCOME TO THE LUXE® EXPERIENCE. Please read this section thoroughly before you use your Luxe®, to learn about important safety and operation procedures.

- 2.1 ABOUT COMPRESSED AIR ✖ ✖ ✖ 11 ✖
- 2.2 INSTALLING AN AIR SYSTEM ✖ ✖ ✖ 12 ✖
- 2.3 FEATHERTOUCH ✖ ✖ ✖ 12 ✖

2

AIR

YOUR LUXE® RELIES ON THE POWER of high-pressure compressed air for fast, quiet and consistent operation. Proper air system handling is extremely important for your safety.

- 3.1 ADJUSTING VELOCITY ✖ ✖ ✖ 14 ✖
- 3.2 DEGASSING THE SYSTEM ✖ ✖ ✖ 14 ✖
- 3.3 ADJUSTING THE TRIGGER ✖ ✖ ✖ 15 ✖
- 3.4 LUXE® BARREL SYSTEM ✖ ✖ ✖ 16 ✖
- 3.5 LiPo RECHARGEABLE BATTERY ✖ ✖ ✖ 17 ✖
- 3.6 REPLACING OR CHARGING THE SPARE BATTERY ✖ ✖ ✖ 17 ✖

3

HARDWARE

THE PHYSICAL ASPECTS OF OPERATING and adjusting your new Luxe® have been streamlined to get you in the game fast. This section will inform you about trigger and velocity adjustment as well as barrel tuning and battery maintenance.

- 4.1 INTRODUCTION TO PROGRAMMING ✪ ✪ ✪ 18 ✪
- 4.2 NAVIGATION MODES ✪ ✪ ✪ 19 ✪
- 4.3 ADDITIONAL POWER BUTTON FUNCTIONS ✪ ✪ ✪ 19 ✪
- 4.4 RESET TO FACTORY DEFAULTS ✪ ✪ ✪ 19 ✪
- 4.5 USB INTERFACE ✪ ✪ ✪ 19 ✪
- 4.6 FIRING MODES AND SETTINGS ✪ ✪ ✪ 20 ✪

4

SOFTWARE

YOUR LUXE® HAS A COMPUTER on board to provide precise control of its operation. Fortunately you won't need to be a computer expert to use it. Voice menus and a joystick interface put complete control at your fingertips.

- 5.1 LUXE® POWER CORE ✪ ✪ ✪ 22 ✪
- 5.2 BALL DETENTS & VISION EYES ✪ ✪ ✪ 24 ✪

5

MAINTENANCE

REGULAR MAINTENANCE IS NECESSARY to keep your Luxe® in peak operating condition. Tool-free access to the Luxe® Power Core and ball detents make this a quick and simple process.

- 6.1 INTRODUCTION ✪ ✪ ✪ 26 ✪
- 6.2 SERVICING THE VERTICAL REGULATOR ✪ ✪ ✪ 28 ✪
- 6.3 BALL DETENT ASSEMBLIES ✪ ✪ ✪ 30 ✪
- 6.4 GRIP FRAME REMOVAL ✪ ✪ ✪ 31 ✪
- 6.5 QUICK-STRIP PLUG DISASSEMBLY ✪ ✪ ✪ 32 ✪
- 6.6 TROUBLESHOOTING ✪ ✪ ✪ 34 ✪
- 6.7 LIMITED WARRANTY ✪ ✪ ✪ 35 ✪

6

ADVANCED MAINTENANCE

SHOULD ANYTHING GO WRONG with your marker, your Certified Luxe® Dealer is ready and able to provide complete warranty support without the hassle or wait of shipping your marker. For the more more technically inclined, advanced maintenance guides cover more complex service procedures.

THIS IS NOT A TOY. LUXE® ELECTROPNEUMATIC .68 CALIBER PAINTBALL MARKER. Misuse/careless use may cause serious injury or death. Eye protection in compliance with ASTM Specification F1776, with temple, ear and face protection must be worn by anyone within range of the Luxe. Must be at least



18 years old to purchase, 14 years old to use or operate with adult supervision, 10 years or older to operate on insured paintball fields meeting ASTM-standard F1777-97. Thoroughly read entire operating manual before using. **DLX TECHNOLOGY GROUP,**
979 GOLF COURSE DR #148, ROHNERT PARK, C A . 94928

ORIENTATION

GET TO KNOW YOUR NEW LUXE® MARKER

ORIENTATION 1.1 QUICK START

WELCOME TO THE LUXE® EXPERIENCE. Follow these simple steps to get your new Luxe® marker up and running in no time.

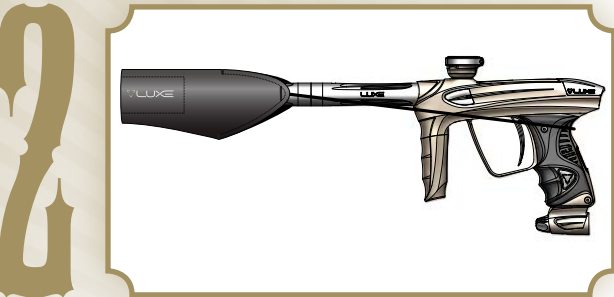
STEP ONE CHARGE THE BATTERY (INCLUDED)

MAKE SURE THE LUXE®'S INTERNAL LITHIUM-POLYMER BATTERY is fully charged. Remove the rubber grip from your Luxe® and connect the charger to the charging port on the front of the grip frame before plugging the charger into a domestic electrical outlet. The L-shaped slot on the charger's SATA connector only fits in one direction - make sure it is oriented correctly. The included charger will operate on either 110 or 240 volt standard AC power. The LED on the charger will glow solid **red** while charging, and solid **green** when the battery is fully charged. Do not use the included USB/SATA adapter for charging. Reinstall the rubber grip.



STEP TWO AFFIX THE BARREL BLOCKER (INCLUDED)

ASSEMBLE THE LUXE® BARREL (see **HARDWARE 3.4**) and screw it into your Luxe®. Slide the included barrel blocker over the barrel and secure its cord as far back on the Luxe® body as possible, cinching it tight. The barrel blocker is a critical piece of paintball safety equipment—nearly as important as paintball goggles. The barrel blocker must be fully seated on the marker's muzzle and secured in place with its strap any time the marker is stored or handled in an area where people are not properly protected by paintball goggles or paintball field netting.

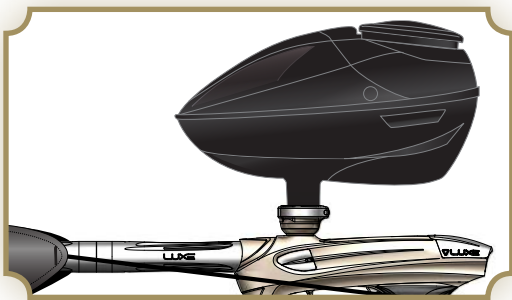


STEP THREE FILL & INSTALL YOUR AIR TANK (SOLD SEPARATELY)

YOUR LUXE® IS DESIGNED TO OPERATE PROPERLY with high pressure compressed air (HPA—also commonly referred to in paintball as *nitrogen* or *nitro*) as its power source. Mount your air system and have it filled, following its manufacturer's directions. If using a screw-in style compressed air system, first turn the Luxe® bottom-line control knob counterclockwise one and a half turns, then screw the air system into the back of the ASA.



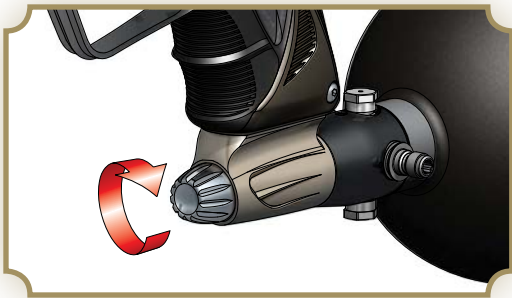
4



STEP FOUR INSTALL YOUR LOADER (SOLD SEPARATELY)

THE ANTI-CHOP VISION SYSTEM IN YOUR LUXE® will allow it to work with any loader. Best performance and highest rate of fire however, will only be possible with a high performance force-feed loader system. Open the marker's locking feedneck by pulling the lock lever away from the neck, then insert the loader and secure it in place by folding the lever back to its locked position. Loader necks vary in size from brand to brand. If the loader does not fit securely or the lock lever does not easily close, see Orientation 1.3 in this manual for feedneck clamp adjustment instructions.

5



STEP FIVE TURN ON AIR

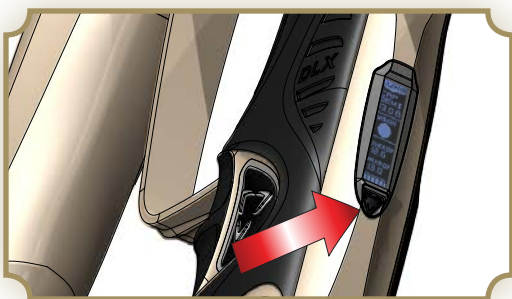
GENTLY GAS UP YOUR LUXE® BY SLOWLY TURNING the air system on or by turning the Luxe® bottom-line control knob clockwise.



A GENTLE RISE IN PRESSURE IS IMPORTANT, AS A SUDDEN BLAST MAY REDUCE THE SERVICE LIFE OF PRESSURE SEALS WITHIN YOUR LUXE®.

The Luxe® bottom-line control knob must be turned off (counterclockwise) before removing screw-in compressed air systems.

6



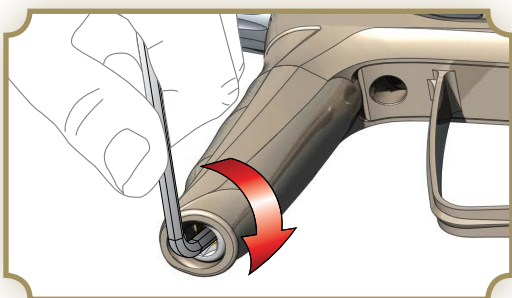
STEP SIX POWER ON YOUR LUXE® MARKER

TURN THE MARKER ON BY DOUBLE-CLICKING (quickly pressing twice) the power button, or by holding it down for two seconds. Turn it off by pressing and holding the power button for two seconds. When the Luxe® turns on, the OLED display will be activated, indicating the marker's status.



ALTHOUGH THE POWER BUTTON SERVES AS THE LUXE®'S SAFETY SWITCH TO PREVENT ACCIDENTAL FIRING, IT SHOULD NEVER BE RELIED UPON IN PLACE OF A BARREL BLOCKER AND PROPER PAINTBALL EYE PROTECTION.

7



STEP SEVEN ADJUST LUXE® VELOCITY

FILL THE HOPPER WITH PAINTBALLS and turn it on. While wearing ASTM compliant paintball goggles, in an area where all bystanders are protected, remove the barrel blocker and fire over a chronograph to measure the velocity. Using a 5/32-inch allen wrench on the adjuster in the bottom of the vertical regulator, turn clockwise to increase velocity/pressure, and counterclockwise to decrease. Take three or four shots after every adjustment to allow the gas pressure inside your Luxe® to stabilize. Adjust until the marker is firing consistently within the limits for the field where you are playing.



NEVER ADJUST YOUR LUXE TO FIRE AT GREATER THAN 300 FEET PER SECOND.



ORIENTATION

GET TO KNOW YOUR NEW LUXE® MARKER

 **BASIC GUIDE TO LUXE® SPECS & FEATURES**



MAIN CONTROLS & FEATURES

- 1 ✦ ✦ POWER/OLED DISPLAY
- 2 ✦ ✦ TRIGGER
- 3 ✦ ✦ GRIP
- 4 ✦ ✦ LUXE® INTEGRATED AIR BOTTOM LINE
- 5 ✦ ✦ LUXE® INTEGRATED AIR VERTICAL REGULATOR
- 6 ✦ ✦ LUXE® POWER CORE
- 7 ✦ ✦ CLAMPING FEEDNECK
- 8 ✦ ✦ LUXE® QUICK-SNAP BALL DETENT ASSEMBLY (2)
- 9 ✦ ✦ LUXE® 3-PIECE BARREL SYSTEM



WEIGHT
1.8 lbs



OPERATING PRESSURE
190 psi



OPERATING METHOD
Electropneumatic



LUBRICANT
GR33SE



DIMENSIONS
8.25 x 7 in



POWER SOURCE
LiPo Rechargeable Battery



ANTI-CHOP SYSTEM
630nm Vision Break Beam



BARREL THREADS
Smart Parts



PAINT SIZE
.68 caliber



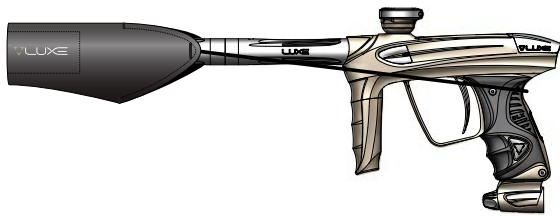
PROPELLANT
Compressed Air



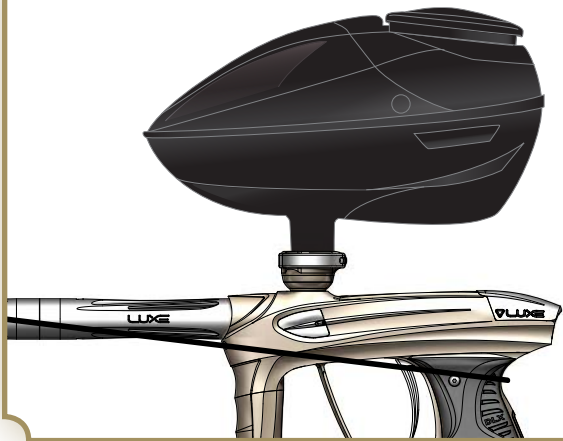
RATE OF FIRE
Uncapped



FIRING MODES
11



❧ FIG. 1 ❧



❧ FIG. 2 ❧

ORIENTATION 1.2 INSTALLING THE BARREL BLOCKER

THE BARREL BLOCKING DEVICE IS A CRITICAL PIECE of paintball safety equipment—nearly as important as paintball goggles. The Barrel Blocker serves to protect against accidental discharge of a paintball by catching it before it can cause harm. A Barrel Blocker is included with the Luxe® and must be used every time it is handled in an area where people or property are not properly protected by paintball goggles or paintball field netting. To use the Barrel Blocker simply slip it over the end of the barrel and stretch its cord back over the rear of the Luxe® [FIG. 1.] Use the strap's adjuster to cinch the strap tight, so that the Barrel Blocker can provide protection against accidental discharge of a paintball.



WARNING

THE BARREL BLOCKER SHOULD ONLY BE REMOVED WHEN THE LUXE® IS ON A “LIVE” PAINTBALL FIELD AND ALL PERSONS INVOLVED ARE WEARING PROPER PAINTBALL PROTECTION.

ORIENTATION 1.3 SELECTING AND INSTALLING A LOADER

YOUR LUXE® IS A HIGH PERFORMANCE PROFESSIONAL GRADE PAINTBALL MARKER. Although its Vision anti-chop system will allow it to operate properly with any paintball loader without fear of chopping paint, a high-end forced-feed loader must be used to achieve high rates of fire.

The Luxe® is equipped with a locking feedneck, which allows it to adapt to variance in hopper neck sizes, and to release hoppers quickly when desired, but hold them securely on the field [FIG. 2.] Pulling the lock lever away from the feedneck moves it to the open, or unlocked position. While it is open, the locking mechanism may be adjusted with a 1/8-inch allen wrench opposite the latch pivot. Turning the wrench clockwise will cause the feedneck to grip tighter, while turning it counterclockwise will result in a better fit for larger hopper necks. Place the hopper in the feedneck, and secure it by closing the lever. If the latch is difficult to close, do not force it. Instead, open it fully, then turn the adjuster counter-clockwise and try again until you have adjusted for a perfect fit.



WARNING

OVER-TIGHTENING THE FEED NECK CAN CAUSE DAMAGE TO ITS LATCHING MECHANISM. DO NOT OVER-TIGHTEN.

ORIENTATION 1.4 HANDLING THE LiPo BATTERY

INCLUDED WITH YOUR LUXE® IS A RECHARGEABLE LITHIUM-POLYMER BATTERY. Do not expose the battery to high temperatures, such as strong sunlight or in a vehicle during hot weather. Do not expose the battery to high levels of static electricity. These situations may cause damage, leading to fire or explosion. If the battery leaks, avoid contact with the fluids. In case of eye contact, do not rub. Rinse with clean running water and seek medical attention immediately, or loss of sight may occur. If the battery gives off an odor, generates heat, becomes discolored/deformed or appears abnormal, remove it from any connected device and place in a metal box for immediate disposal. Dispose of used Luxe® batteries through a battery recycling program, as discarded batteries pose a risk of fire or environmental contamination.



WARNING

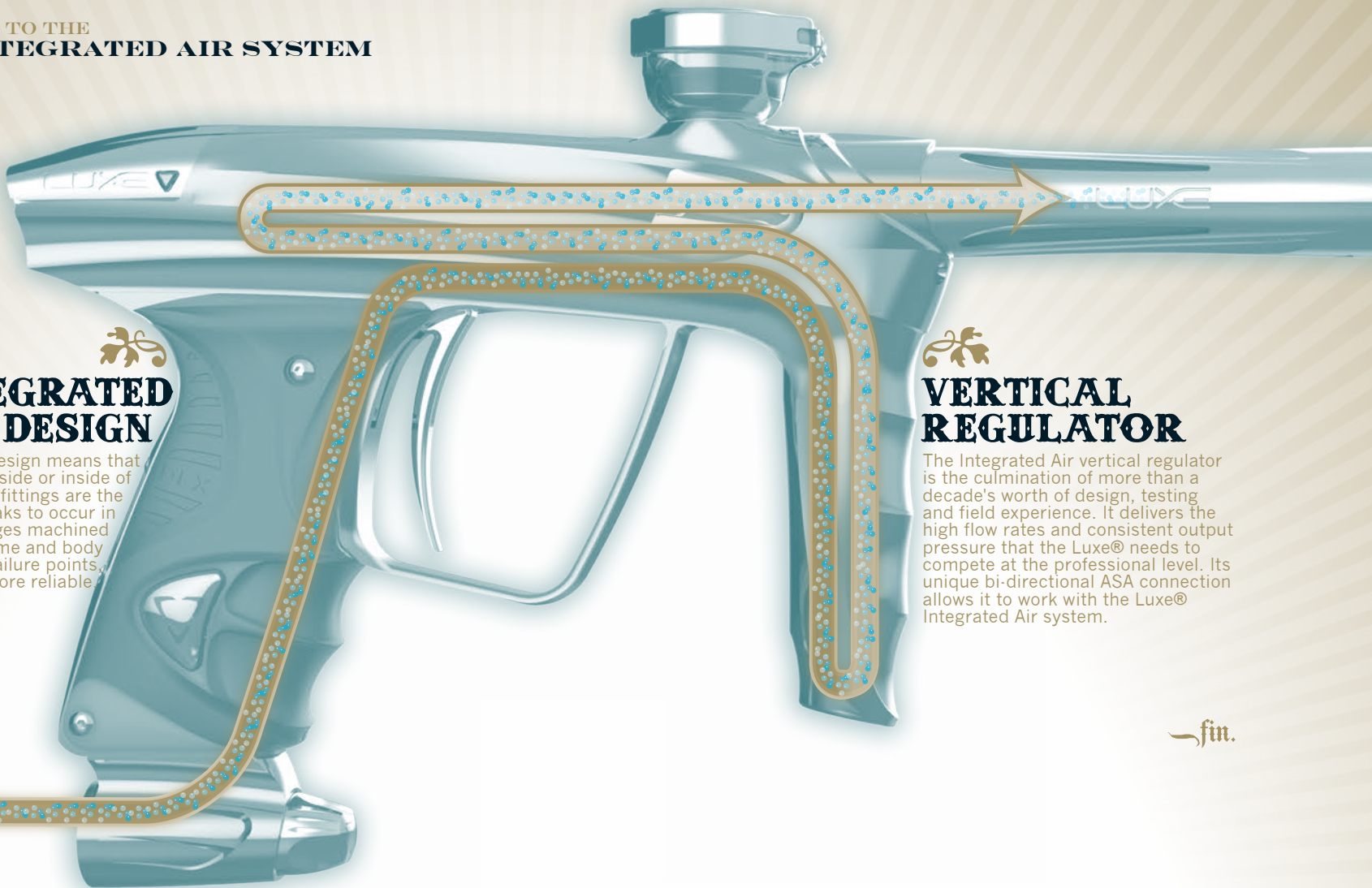
DO NOT IMMERSE THE BATTERY IN LIQUID. STORE IN A COOL, DRY ENVIRONMENT WHEN NOT IN USE. DO NOT REVERSE POSITIVE (+) AND NEGATIVE (-) TERMINALS OR SHORT-CIRCUIT. DO NOT CONNECT THE BATTERY TO AN ELECTRICAL OUTLET. DO NOT STRIKE OR THROW THE BATTERY AGAINST A HARD SURFACE. DO NOT MODIFY, PIERCE, OR SOLDER NEW CONNECTIONS TO THE BATTERY. STORE AND TRANSPORT THE BATTERY IN A CASE WHICH PROTECTS IT FROM DAMAGE OR CONTACT WITH SHARP OR METAL OBJECTS WHEN NOT IN USE.



WHAT YOUR LUXE® NEEDS TO BREATHE



BASIC GUIDE TO THE LUXE® INTEGRATED AIR SYSTEM



INTEGRATED AIR DESIGN

The Luxe® Integrated Air design means that there are no hoses on the outside or inside of the marker. Hoses and hose fittings are the most common places for leaks to occur in paintball markers. Air passages machined into the Luxe® grip frame and body eliminate these possible failure points, making the Luxe® more reliable.

VERTICAL REGULATOR

The Integrated Air vertical regulator is the culmination of more than a decade's worth of design, testing and field experience. It delivers the high flow rates and consistent output pressure that the Luxe® needs to compete at the professional level. Its unique bi-directional ASA connection allows it to work with the Luxe® Integrated Air system.

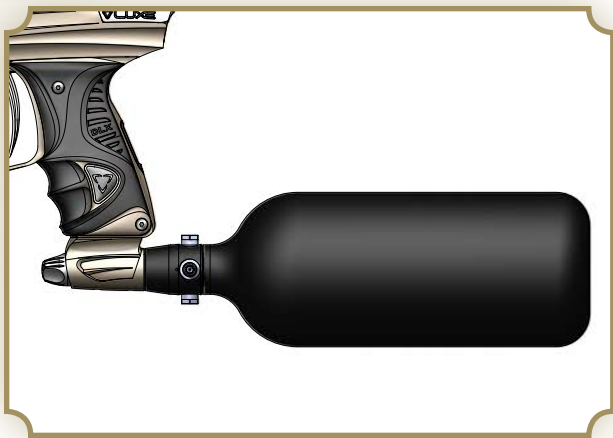


FIG. 1



FIG. 2

AIR 2.1 ABOUT COMPRESSED AIR

YOUR LUXE® IS DESIGNED TO OPERATE ON HIGH-PRESSURE AIR (HPA) which is stored in cylinders (tanks) at pressures of up to 3,000 [FIG. 1] or 4,500 psi [FIG. 2.] The storage cylinder, along with the regulator mounted in its neck forms an HPA system. There are two main types of HPA systems, those on which the regulator's output pressure is adjustable, and those for which their regulator is pre-set to deliver a fixed output pressure. HPA systems designed to screw into an ASA are usually pre-set to provide 400 psi (low pressure output) or 800 psi (high pressure output.)



DO NOT USE CO₂ WITH YOUR LUXE®. USE THE LUXE® ONLY WITH COMPRESSED AIR SYSTEMS FEATURING TWO BURST DISKS, ONE FOR THE HIGH PRESSURE SIDE OF THE REGULATOR, AND AN 1800 PSI RATED BURST DISK FOR THE DOWNSTREAM SIDE OF THE REGULATOR. THE 1800 PSI (ALSO SOMETIMES MARKED 1.8K) PROVIDES CRITICAL PROTECTION IN CASE OF A REGULATOR LEAK, AND ITS ABSENCE MAY CAUSE DAMAGE TO THE LUXE® AND OR SERIOUS INJURY.

If you are using your Luxe® with an adjustable output compressed air system, it should be set to deliver about 650 psi. The Luxe® vertical regulator can accommodate a wide range of input pressures, and lower them to the marker's operating pressure, so exact adjustment of the air system is not critical, and either low output, or high output pre-set HPA systems may be used. If using a screw-in style air system, the Luxe® on/off bottom-line or similar is recommended, as the on/off control is important for proper set-up and degassing.



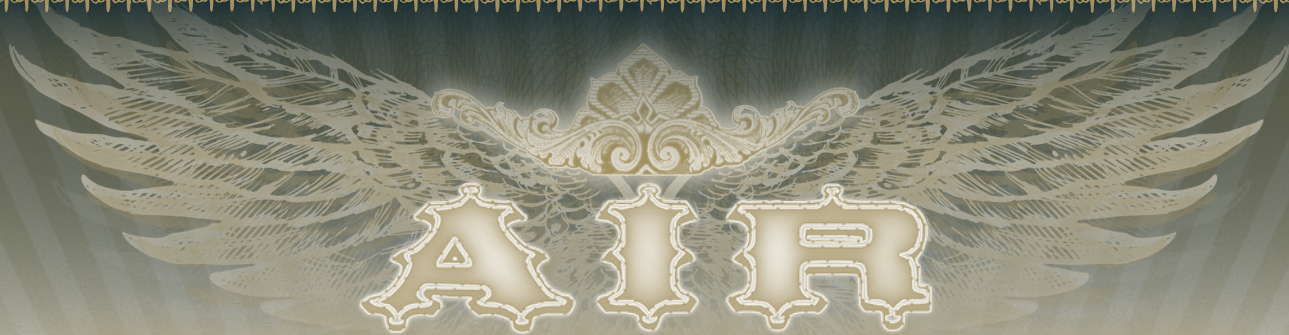
NEVER USE OIL OR ANY PETROLEUM BASED CLEANER OR LUBRICANT IN A COMPRESSED AIR REGULATOR OR CYLINDER. EXPOSURE TO PRESSURIZED AIR INCREASES OIL'S FLAMMABILITY AND CAN CAUSE A SERIOUS SAFETY HAZARD. ONLY USE MANUFACTURER RECOMMENDED LUBRICANTS WITH COMPRESSED AIR SYSTEMS, AND FOLLOW THE MANUFACTURER'S MAINTENANCE AND OPERATION INSTRUCTIONS EXPLICITLY.

Regardless of the type of air system used, be sure to turn it on by slowly opening its control valve (either on the HPA system, or on/off bottom-line, depending on the configuration) so that the gas pressure in the Luxe® rises gently, rather than jumping to full pressure. Slower pressurization will maximize the service life of the seals and low pressure components in the Luxe®. The Luxe® offers multiple options for mounting compressed air systems. Located on the bottom of the grip frame are a pair of industry standard 10-32 screw holes for air system mounting. Located forward and to the side of these holes is the Luxe® grip integrated gas port. A small o-ring sitting in a recess at the gas port provides an airtight seal.

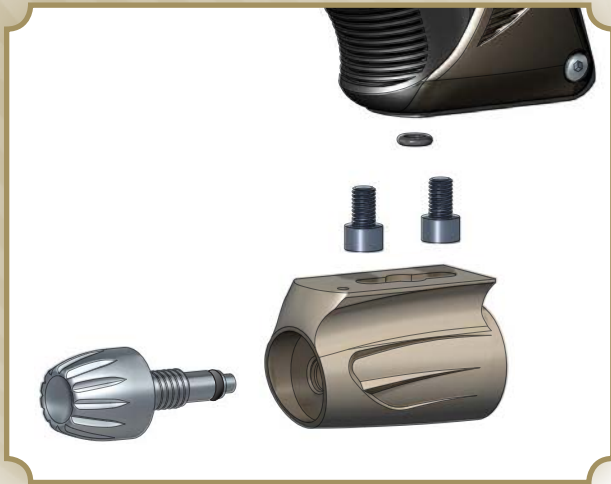


DEGAS AND UNLOAD THE LUXE® BEFORE MAKING ANY AIR SYSTEM CHANGES.





WHAT YOUR LUXE® NEEDS TO BREATHE



❧ FIG. 1 ❧



❧ FIG. 2 ❧

AIR 2.2 INSTALLING AN AIR SYSTEM

INCLUDED WITH YOUR LUXE® IS A BOTTOM-LINE style integrated air on/off ASA for use with screw-in style compressed air systems. The grip integrated ASA can be mounted directly to the Luxe® grip frame, or mounted with forward (included) or reverse (optional) grip integrated air rails.

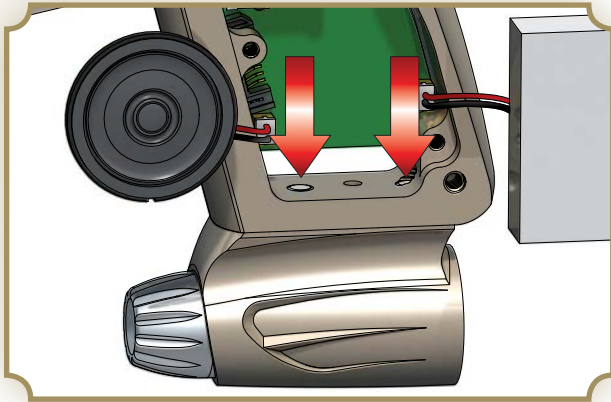
When mounting the bottom-line adapter directly to the grip frame, it must first be disassembled by unscrewing and removing its control knob. Each of the short 10-32 socket head cap screws are inserted in the center slot in the top of the bottom-line adapter [FIG. 1.] then slid to the front or back. A 5/32-inch allen wrench is guided up through holes in the bottom of the adapter to tighten the screws. If needed, the control-knob's o-ring may be lightly lubricated with GR33SE™ before it is reinstalled.

The Air Integrated Rail offers an alternative configuration with a slightly lower and forward placement of the HPA system. A short socket head cap screw is used through the rail's rear hole to secure it to the grip frame [FIG 2.] A long socket head cap screw is slid into the bottom-line's rear mount point while a short socket head cap screw is used in the front, installing with the same procedure as direct-mounting.

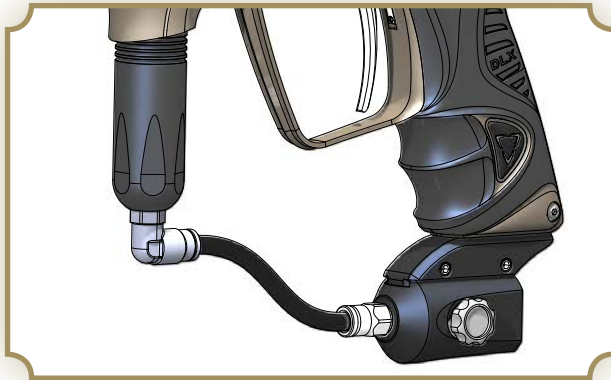
When installing a new air system, accessory or mount, the grip must be removed and the battery removed from the Luxe® (see **HARDWARE 3.6.**) Only use mounting screws which will reach through the air system, accessory or mount, and fully engage the screw threads in the grip frame, but not extend into the open space of the grip frame far enough that they interfere with the placement of the battery. Installing mount screws while the battery is removed will ensure that a screw which is too long does not accidentally damage the lithium-polymer battery [FIG. 3.]

In addition to grip integrated air systems, the Luxe® may also use standard hose based air systems and accessories, bypassing the grip integrated air system. Such accessories are mounted the same way, but will require the use of a vertical regulator (see **ADVANCED MAINTENANCE 6.2 for removal instructions**) which accepts input via macroline or steel braided hose and provides output in the range of 170-220 psi [FIG. 4.]

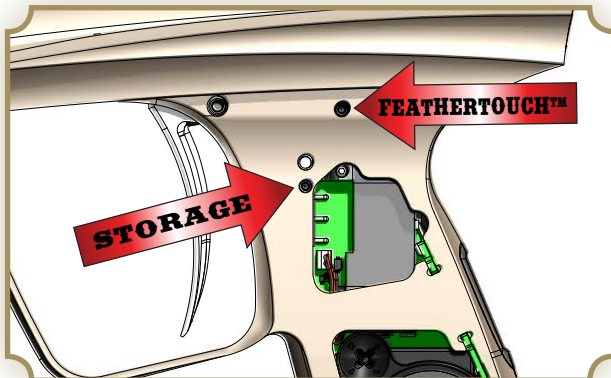




❖ FIG. 3 ❖



❖ FIG. 4 ❖



❖ FIG. 5 ❖

AIR 2.3 FEATHERTOUCH

YOUR LUXE® IS EQUIPPED WITH A FEATHERTOUCH™ MANIFOLD allowing for extra-gentle treatment of the most brittle paintballs and an unbeatably smooth firing cycle. The FeatherTouch™ control restricts the flow of gas leaving the forward portion of the Luxe Power Core™. This provides a cushion of air which softens the bolt's forward motion. When using the Luxe™ in FeatherTouch™ mode, it will be necessary to clean and grease the bolt more frequently. Additionally, anti-FSDO adjustments may be necessary for reliable operation. Maintenance is more critical with FeatherTouch™, but top professional players swear by the unmatched feel and fragile paint handling.

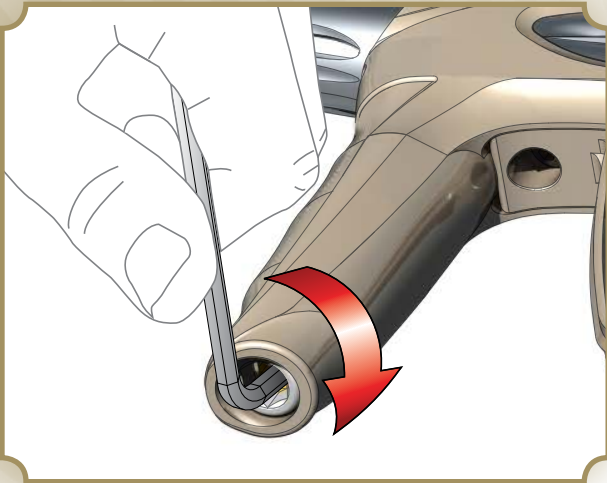
To activate FeatherTouch™ the FeatherTouch™ control screw is moved from its storage location to the FeatherTouch™ hole in the Luxe™ solenoid manifold. De-activating FeatherTouch simply requires removing the screw from the manifold.

With the Luxe™ unloaded and degassed, remove the rubber grip, then use a 1/16-inch allen wrench to remove the control screw from its storage position [FIG 5.] The control screw has a small black o-ring on its front. The o-ring may cause the control screw to stick in the threaded hole, requiring a tap on the grip frame to work it loose. Make sure the o-ring is correctly seated on the control screw when reinstalling. When not in use, the control screw should be returned to its threaded storage hole for safekeeping.

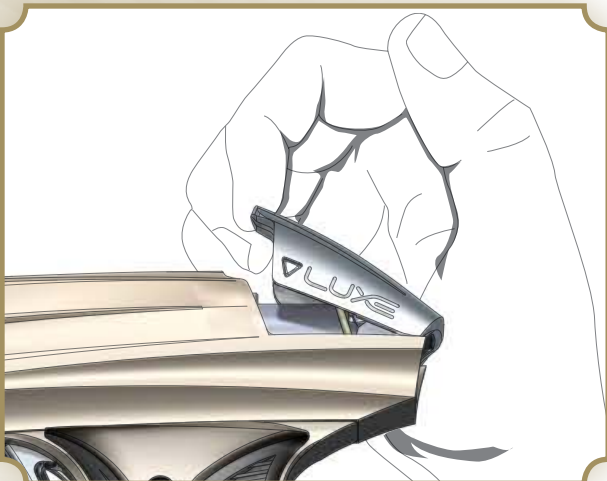
Dwell Adjustment will typically need to be increased by 2 milliseconds when FeatherTouch™ is turned on. A dwell setting of 14 milliseconds is ideal..

HARDWARE

HOW TO ADJUST ALL MECHANICAL SETTINGS



❧ FIG. 1 ❧



❧ FIG. 2 ❧

HARDWARE 3.1 ADJUSTING VELOCITY

THE VELOCITY, OR SPEED AT WHICH YOUR LUXE® FIRES a paintball, must be measured and adjusted to below the paintball field's velocity limit immediately before each day of play, for player safety. Fill the hopper with paintballs and turn it on.

While wearing ASTM compliant paintball goggles, in an area where all bystanders are protected, remove the barrel blocker and fire over a chronograph to measure the velocity. Using a 5/32-inch allen wrench on the adjuster in the bottom of the Luxe® Vertical Regulator, turn clockwise to increase velocity/pressure [FIG. 1.] and counterclockwise to decrease.

⚠️ WARNING ⚠️

DO NOT ATTEMPT TO ADJUST THE LUXE® VERTICAL REGULATOR WITH LARGER SIZED ALLEN WRENCHES. THESE ARE USED TO REMOVE AND DISASSEMBLE THE REGULATOR, WHICH MUST NOT BE DONE WHILE IT IS PRESSURIZED.

Take three or four shots after every adjustment to allow the gas pressure inside the Luxe® to stabilize. Adjust and retest until the marker is firing consistently within the limits for the field where you are playing.

⚠️ WARNING ⚠️

ALWAYS MEASURE THE VELOCITY OF PAINTBALLS FIRED BY THE LUXE® BEFORE USE, AND NEVER ADJUST TO FIRE ABOVE 300FPS (91.44 M/S.)

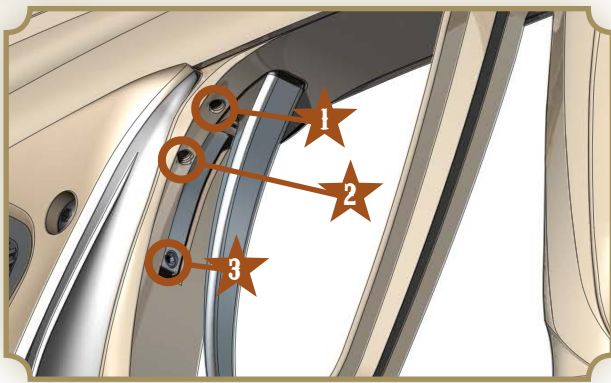
HARDWARE 3.2 DEGASSING THE SYSTEM

BEFORE STORAGE, TRANSPORT OR MAINTENANCE, your marker will need to be unloaded and degassed. In an area where it is safe to shoot and while wearing paintball goggles, loosen the Luxe®'s clamping feedneck and remove the loader. By turning the marker upside down, you can empty any extra paintballs from the feedneck into your hand.

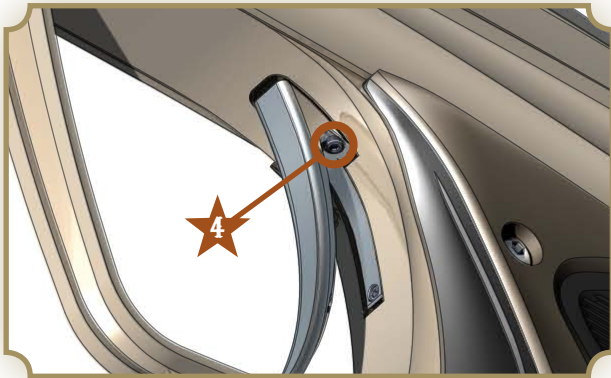
⚠️ WARNING ⚠️

EVEN WITH ITS GAS SUPPLY TURNED OFF, THE REGULATOR AND GAS PASSAGES IN THE LUXE® WILL CONTAIN ENOUGH PRESSURE TO FIRE MULTIPLE SHOTS UNTIL THE MARKER IS DEGASSED.

Turn off your HPA system either with its on/off valve, or the on/off valve of a connected bottom-line adapter. Lift the quick-strip latch upward to vent pressure from the Power Core [FIG 2.] As the Power Core is depressurized, it will make a sound similar to a soda can being opened. If you hear the sound of escaping gas for more than a second or two, your HPA system has not been turned off. Turn off your HPA system and repeat the degassing procedure.



❧ FIG. 3 ❧



❧ FIG. 4 ❧

- 1 POST-TRAVEL
- 2 PRE-TRAVEL
- 3 ACTIVATION POINT
- 4 RESISTANCE

Once the Luxe® has completely degassed, there will be no more hissing sound. If performing maintenance on the Luxe®, remove the Power Core (see **MAINTENANCE 5.1**) to protect against accidental pressurization—otherwise, re-close the latch. If using a screw-in style HPA system, unscrew the system from the marker's bottom-line ASA. Pay careful attention to make sure the HPA system regulator is unscrewing from the Luxe®'s ASA, rather than the tank unscrewing from its regulator.



WARNING

DO NOT LIFT THE QUICK-STRIP LATCH UNTIL THE GAS SUPPLY HAS BEEN TURNED OFF. IF THIS IS DONE ACCIDENTALLY, TURN OFF THE GAS SUPPLY IMMEDIATELY. ATTEMPTING TO CLOSE THE LATCH WHILE THE GAS SUPPLY IS ON MAY RESULT IN O-RING DAMAGE.

HARDWARE 3.3 ADJUSTING THE TRIGGER

YOUR LUXE® IS EQUIPPED WITH A 4-POINT ADJUSTABLE TRIGGER, providing complete versatility to both the feel and length of the trigger pull. The Luxe® can be adjusted to a super-sensitive hair trigger, though many players find that a slightly longer, and heavier trigger pull is easier to walk to higher rates of fire. Perform trigger adjustments while the Luxe® is unloaded and degassed. Luxe® Training Mode (see **PROGRAMMING PULL-OUT**) can be used to determine the effectiveness of changes in trigger adjustment.

POST-TRAVEL The post-travel adjustment sets how far back the trigger can travel, affecting the area of the trigger pull that occurs after the Luxe® fires. Turning the adjustment screw clockwise with an 0.050-inch allen wrench will reduce post-travel, limiting how far back the trigger can swing, while turning counterclockwise will increase it. The post-travel limit must be set to stop the trigger before it is brought to a stop by the trigger switch.

PRE-TRAVEL The pre-travel adjustment determines how far forward the trigger can swing, affecting the area of the trigger pull that occurs before the Luxe® fires. Pre-travel is adjusted with an 0.050-inch allen wrench in the pre-travel adjustment screw. Turn clockwise to reduce pre-travel, and counterclockwise to increase.

ACTIVATION POINT The activation point setting determines the point in the trigger pull at which the Luxe® trigger switch is activated, signaling the marker to fire. As the screw is turned clockwise with a 0.050-inch allen wrench, it will extend out the back of the trigger, closer to the trigger switch, causing the trigger to be activated earlier in the trigger pull. Due to the limited space to access this adjustment, use of a ball-end allen wrench is advised.



WARNING

USE CAUTION WHEN ADJUSTING THE ACTIVATION POINT AND POST-TRAVEL ADJUSTMENT. WHEN PROPERLY ADJUSTED, THE TRIGGER SHOULD COME TO A SOLID STOP AGAINST THE POST TRAVEL ADJUSTMENT SCREW. IF IT COMES TO A SOFTER STOP CAUSED BY THE ACTIVATION POINT ADJUSTMENT SCREW OR REAR OF THE TRIGGER PRESSING AGAINST THE TRIGGER SWITCH, THEN TRIGGER SWITCH AND OR CIRCUIT BOARD DAMAGE MAY RESULT FROM RAPID OR HARD PULLS ON THE TRIGGER.

TRIGGER RESISTANCE Trigger resistance, or the weight of the trigger pull may be adjusted with a 0.050-inch allen wrench in the trigger resistance adjustment screw. Turning clockwise increases pressure on the trigger return magnet, for increased resistance, while turning counterclockwise decreases pressure on the trigger.

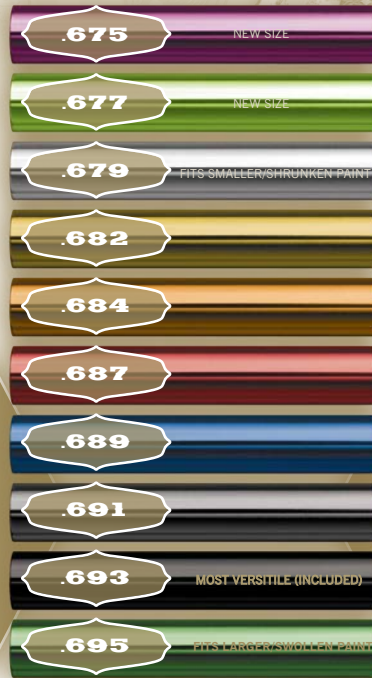


HARDWARE

HOW TO ADJUST ALL MECHANICAL SETTINGS



Basic Guide to the
LUXE® 3-PIECE
BARREL SYSTEM



BACK

ACCEPTS ALL GOG® FRONTS
AND FREAK® INSERTS



The Luxe® back accepts optional Freak® bore inserts, allowing it to quickly adapt to changing paint conditions.

FRONT

FITS ANY GOG® BACK, IN ADDITION TO THE STANDARD LUXE® BACK.



Linear pressure compensating ports make every shot quiet and accurate. GOG® barrel compatibility lets you switch to optional fronts to keep pace with changing playing conditions.

★ INSERTS ★

AVAILABLE IN 10 COLOR CODED SIZES, FREAK BORE INSERTS CREATE THE PERFECT FIT WITH ANY BRAND OF PAINT.



HARDWARE 3.4 LUXE® BARREL SYSTEM

EVEN THE BEST QUALITY PAINTBALLS WILL VARY in size from one batch to the next and as weather conditions change. Although your Luxe® can work well even with a poor paint to barrel fit, optimal performance will be achieved with a proper fit. The ideal fit between the paintball and the barrel is found when the ball is inserted in the bore and does not slip or roll through to the muzzle on its own, yet can be blown out like a blowgun, using a minimal amount of breath. The barrel can be adapted to fit a wide range of paintball sizes through the use of GOG Paintball® inserts. The .693-inch ID Luxe® bore insert may be removed by sliding it out the back of the barrel, and inserting an appropriate sized Freak® insert in its place. The Luxe® 3-Piece barrel is compatible with all GOG Paintball® multi-piece barrel components providing access to a variety of optional fronts and inserts.



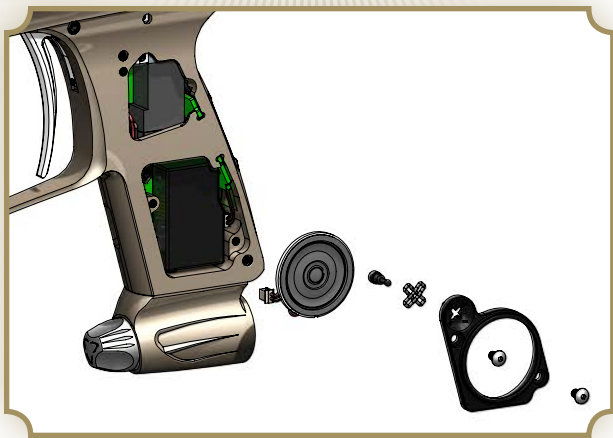


FIG. 1

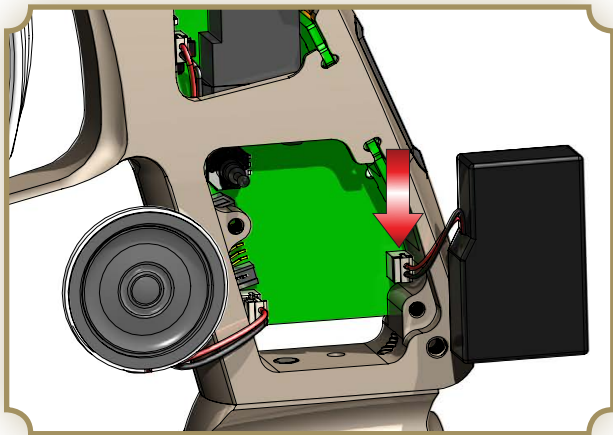


FIG. 2

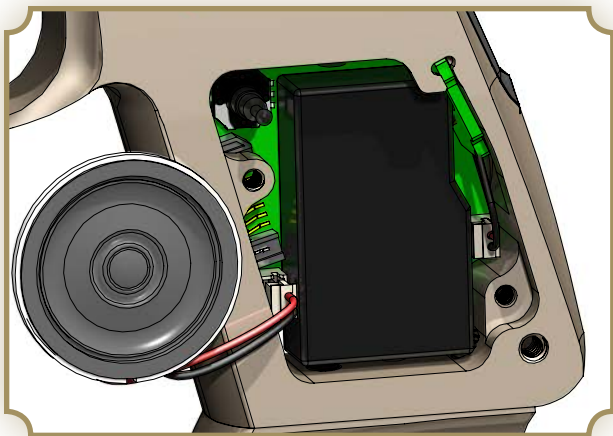


FIG. 3

HARDWARE 3.5 LiPo RECHARGABLE BATTERY

YOUR LUXE® IS EQUIPPED WITH a Lithium-Polymer (LiPo) battery. Lithium-Polymer batteries provide consistent power output in a minimal size and weight, without suffering from charge memory effects.

To charge the Luxe®, use a 5/64-inch allen wrench to remove the four grip screws and completely remove the grip (avoid folding the grip back from one side as this may cause damage.) Simply plug the included charger into the marker's charging port, and plug the adapter into a domestic power outlet. The Luxe® charger is designed for international use, and will operate on standard mains 50 or 60 Hz AC power from 110 to 240 volts. Plug adapters may be required when using the Luxe® outside of the US, Canada or Mexico.

While the Luxe® battery is charging, the charger's LED will glow **red**. It will glow **green** to indicate that the charging cycle is complete. Charge time is approximately 30 minutes. The USB/SATA Luxe USB Interface cable will *not* charge the battery.

WARNING

ONLY USE THE LUXE® CHARGER, CIRCUIT BOARD AND GENUINE LUXE® BATTERY. THESE COMPONENTS CONTAIN CRITICAL CHARGE AND DISCHARGE CONTROL CIRCUITS. USE OF AFTER-MARKET ELECTRONIC PARTS MAY RESULT IN FIRE OR EXPLOSION.

When your Luxe® is turned on, it will display an estimate of the remaining battery charge. This will be displayed at the bottom of the marker's OLED display. It is important to note that battery discharge rates can be affected by various factors, including temperature. The indicated charge level is only an estimation of the expected remaining charge life.



HARDWARE 3.6 REPLACING OR CHARGING THE SPARE BATTERY

SWAP LUXE® BATTERIES at least once every six months to maximize their operating life. A spare battery that is unused for more than six months or stored completely empty may lose capacity or fail entirely.

Unload and degas your Luxe® following the instructions in this manual. Open the left side grip panel with a 5/64-inch allen wrench. Use a 1/16-inch allen wrench to remove the speaker mount. [FIG 1.]

Carefully lift out the speaker. Do not allow sharp tools like allen wrenches to snap onto the magnet, damaging the speaker cone. Take care not to strain the speaker wires. Lift out and unplug the the Lithium-Polymer battery pack. When unplugging any component from the circuit board, pull on the connector directly, not its wires.

WARNING

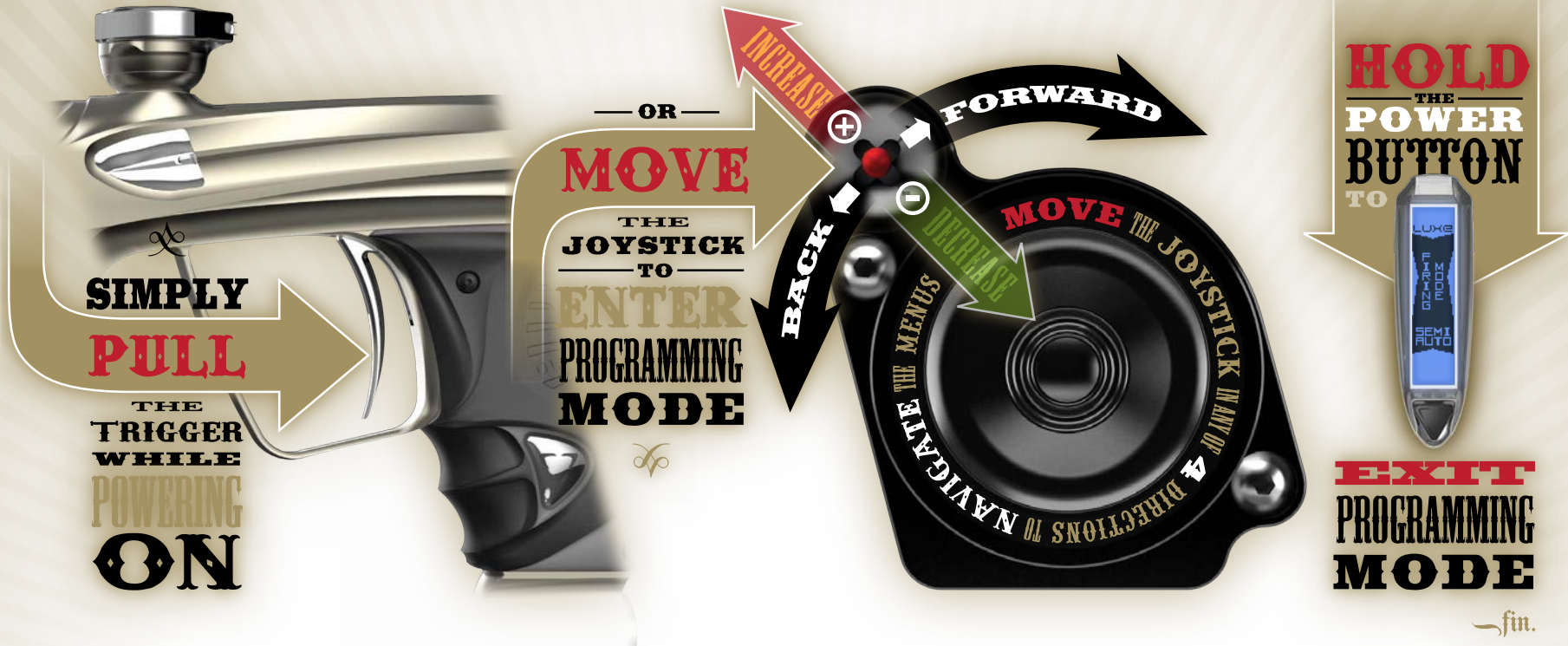
DO NOT PLUG A BATTERY INTO THE SPEAKER CONNECTION [FIG.2.] AS CIRCUIT BOARD DAMAGE MAY RESULT.

Install a charged battery [FIG. 3,] and plug it into the circuit board. Make sure the speaker is plugged in, reinstall the speaker and speaker mount, taking care not to crimp or crush any of the wires, then re-secure the grip panel. The speaker and battery connectors only fit in one direction. If a connector does not slide smoothly onto its pins, try rotating it to determine if it has been reversed. Do not force the connectors.

SOFTWARE

ALL ELECTRONIC SETTINGS AND FEATURES

 BASIC GUIDE TO SYSTEM NAVIGATION



SIMPLY PULL THE TRIGGER WHILE POWERING ON

OR

MOVE THE JOYSTICK TO ENTER PROGRAMMING MODE

INCREASE **FORWARD** **MOVE THE JOYSTICK IN ANY OF 4 DIRECTIONS TO NAVIGATE THE MENUS** **DECREASE** **BACK**

HOLD THE POWER BUTTON TO

EXIT PROGRAMMING MODE

fin.

SOFTWARE 4.1 INTRODUCTION TO PROGRAMMING

YOUR LUXE® COMBINES VOICE FEEDBACK with its OLED display to make electronic adjustment simple. All adjustments are performed with the Luxe® turned on, but unloaded and degassed (see **HARDWARE 3.2**). Adjustments are made with a five-way joystick controller located inside the grip frame, or via the trigger and power button if the Luxe® is unlocked. To access the joystick, use a 5/64-inch allen wrench to remove all four grip screws and the grip. The joystick is located next to the Luxe® speaker. It is marked with arrows to indicate the directions it must be moved to scroll through menu items, and with + and - symbols to indicate the directions used for increasing and decreasing setting values.

Luxe® programming mode is entered by moving the joystick in any direction, or if the Luxe® is unlocked, by turning it on while holding back the trigger. This will place the marker in its main menu, which is indicated by voice feedback and tabs which appear at the bottom and sides of the OLED display. Push the joystick in the directions of its arrows, or pull the trigger to scroll through the available settings, each of which is identified by a verbal response and the OLED display. To make a change, find the desired setting and move the controller to its + or - position, or tap the power button. The Luxe® will display the currently selected value for that sub-menu on its OLED display with "SET" appearing on the bottom tab. Additionally it will speak the current value. Changes may be made to the setting by using the + or - directions on the joystick to increase or decrease the setting or pulling the trigger to cycle through the available values. Once a new setting has been chosen (changed dwell setting, new firing mode, etc.) scrolling with the arrows or tapping the power button will return to the main menu, allowing other settings to be checked or changed. Press the power button for approximately 2 seconds to turn off the Luxe® and exit programming mode. When programming is complete, re-secure the grip. When the Luxe® tournament lock is engaged, programming mode may only be activated by moving the joystick, which is not accessible without tools. The Luxe® can be locked into any tournament or field legal mode required.

SOFTWARE 4.2 NAVIGATION MODES



⇒ MAIN MENU ⇐

Within the main menu, you may choose which setting you want to check or change. The Main Menu is indicated by tabs appearing on the sides and bottom of the OLED display and the Luxe® verbally announcing that it is in the main menu.

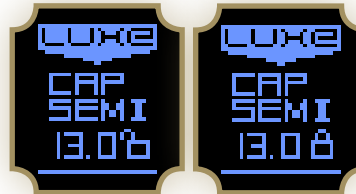
⇒ SETTING VALUES ⇐

The word "SET" appears on the bottom tab, and the side tabs disappear when a menu item is selected for setting. The joystick controller or trigger may be used to cycle through the available values for each setting.

SOFTWARE 4.4 FACTORY RESET

PRESSING AND HOLDING THE TRIGGER FOR approximately 5 seconds while in programming mode will result in the Luxe® resetting all menu items to their factory default values. Factory Reset is confirmed by 3 chirps from the speaker.

SOFTWARE 4.3 ADDITIONAL POWER BUTTON FUNCTIONS



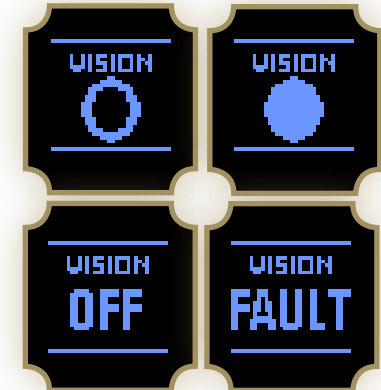
⇒ TOURNAMENT LOCK ⇐ FIELD LEGAL

Paintball tournaments and field operators require that paintball markers be locked so that their velocity and firing modes cannot be changed on the field. The lock status is indicated by a locked or unlocked padlock in the OLED display. When the Luxe® Tournament Lock is on, an allen wrench must be used to remove the marker's rubber grip, providing access to the joystick to enter the Main Menu and make any adjustments. When the Luxe is unlocked, turning on the Luxe while holding the trigger back will enter the Main Menu for adjustment using the trigger and power button. The trigger may then be used to lock the marker once adjustment is complete.

SOFTWARE 4.5 USB INTERFACE

INCLUDED WITH YOUR LUXE® is a USB/SATA cable, which can be used to read or adjust the marker's settings and re-flash the circuit board with firmware updates, alternate language OLED firmware or alternate voice sets. Download the latest version of the Luxe® USB Interface software, instructions, voice files and firmware at LuxePaintball.com.

WARNING: Do not use the USB/SATA cable with pre-2.0 Luxe® circuit boards as damage may result. Only install Luxe® OLED firmware.



⇒ VISION CONTROL ⇐ & BREECH STATUS

The Luxe® is equipped with a Vision break-beam anti-chop system. The status of the Vision system is indicated in the OLED display. An empty circle indicates the breech is empty, while a full circle indicates a ball has been detected. "OFF" indicates that Vision has been de-activated, and "FAULT" indicates an error, such as debris blocking the Vision sensor. Vision may be deactivated by a quick double-tap of the power button. It may be turned back on the same way.



SOFTWARE

ALL ELECTRONIC SETTINGS AND FEATURES

SOFTWARE 4.6 FIRING MODES AND SETTINGS

WARNING

WHILE REFERENCES TO PAINTBALL TOURNAMENT LEAGUE RULES ARE ACCURATE AT THE TIME OF THIS WRITING, IT IS NOT UNCOMMON FOR PAINTBALL LEAGUES TO MAKE CHANGES TO THEIR RULES. IN ADDITION TO THE MODE CHOICE, SOME SERIES WILL REQUIRE THE USE OF THE LUXE®'S BPS LIMIT TO LIMIT MAXIMUM RATE OF FIRE. BE SURE TO MAKE YOURSELF FAMILIAR WITH THE RULES OF ANY TOURNAMENT, SCENARIO OR GAME WHERE YOU WILL BE PLAYING, TO BE CERTAIN YOUR LUXE® SETTINGS ARE IN COMPLIANCE.

⇒ FIRING MODE ⇐

As its name implies, this setting selects one of the Luxe®'s eleven available firing modes, each of which is identified by the Luxe® speaking the mode name and displaying it near the top of the OLED display. Settings which affect the performance of a firing mode are stored specifically for the currently selected mode. Firing mode related settings are only available for adjustment when their associated firing modes are selected. For example, Burst Count may only be adjusted when the firing mode is set to Burst.

⇒ SEMI-AUTO ⇐ UNCAPPED

This is a traditional semi-automatic firing mode, delivering one shot per complete trigger pull, and it is the factory default setting for the Luxe®. Semi-Automatic mode is uncapped, and the maximum rate of fire that can be achieved in this mode will depend on loader feed rates and Luxe® Dwell settings. Semi-Automatic mode is appropriate for use at most paintball fields and events.

⇒ SEMI-AUTO ⇐ CAPPED

While this mode functions like Semi-Automatic, with one shot per trigger pull, it also takes into account the value set in the BPS (Balls Per Second) Limit. By activating this cap, the Luxe®'s maximum rate of fire can be restricted to meet the demands of special game rules, or to handicap experienced players against those who are new to the sport.

⇒ NXL ⇐

NXL mode complies with the rules of the National X-Ball League. Initially this mode acts like Semi-Automatic. After three trigger pulls in quick succession, it begins operating like Full-Automatic, firing repeatedly while the trigger is held down. To prevent accidental multiple-shot firing, NXL mode reverts to semi-automatic style operation after a moment of no trigger activity, at which point it is ready to begin the cycle again. Maximum rate of fire is capped by the Luxe®'s BPS Limit sub-menu setting. For use in the NXL, the BPS Limit must be set to 13.2 or lower.

⇒ PSP 1, 2 & 3 ⇐

For use under the X-Ball rules used in the Paintball Sports Promotions tournament series. Initially, these mode act like Semi-Automatic until three trigger pulls are made in quick succession. At this point PSP mode begins firing more than one shot per trigger pull, as long as the user continues to pull the trigger at least once per second. Once the trigger is allowed to rest for more than a second, the cycle begins again with one shot per trigger pull. Each of the 3 PSP modes has a different default BPS limit for use in different leagues: PSP 1, 2 and 3 are preset to 10.2 BPS (PSP Pro), 12.5 BPS (PSP Divisional & CFOA) and 15 BPS (CXBL) respectively. Each PSP mode can be adjusted with the BPS Limit and BPS Fine settings.

⇒ MILLENNIUM ⇐

Similar to other series specific modes, the Millennium mode operates as Semi-Automatic until the user pulls the trigger at a rate of 8 times per second or faster. At this point, the Luxe® will begin firing more than one shot per trigger pull, to maximize firepower, until the user slows below the rate of 8 trigger pulls per second, at which point only one shot is fired per trigger pull. For use in Millennium events, the BPS Limit must be set to 11.9 or lower.

⇒ **AUTO RESPONSE** ⇐

Auto Response is a specialty mode which doubles firepower by firing both when the trigger is pulled and when it is released. Auto Response is affected by the BPS Limit setting.

⇒ **BURST MODE** ⇐

This mode fires a burst of shots when the trigger is pulled and held down. The number of shots in each burst is determined by the Burst setting.

⇒ **FULL-AUTO** ⇐

In Full-Automatic mode, the Luxe® fires repeatedly, while the trigger is pulled and held. The rate of fire delivered will depend on the value of the BPS Limit setting.

⇒ **CUSTOM REBOUND MODE** ⇐

User-definable Rebound mode allows the Luxe® to operate with ramping built to meet nearly any imaginable rule set. Rebound mode fires as semi-automatic until the set number of activation shots (Shots To Enter) are fired at a minimum rate (Shots To Sustain) or faster, at which point the Rebound mode kicks in and fires additional shots, maximizing firepower. Once the rate of trigger pulls drops below the Shots To Sustain setting, one shot is fired per trigger pull. To configure Rebound mode, adjust the Shots To Enter and Shots To Sustain settings.

⇒ **DWELL** ⇐

The Dwell setting determines how long the Luxe® sends power to its solenoid valve, which in turn affects how long the bolt remains forward and how much gas is released from the fire chamber to propel each paintball. Dwell is adjustable from 4 to 25 milliseconds in one millisecond increments. The default Dwell value is 16 milliseconds, which provides an excellent balance between gas efficiency, speed and reliable operation.

⇒ **BPS LIMIT** ⇐

This setting adjusts how fast the Luxe® can fire in all modes except Semi-Auto. For modes such as Capped Semi-Auto, this setting limits the maximum rate of fire. For modes which provide automatic shots, like Burst and Full-Auto, it determines the rate of fire. BPS limit is adjusted in whole numbers of Balls Per Second. The value may be set from 4 BPS to 20 BPS. Default BPS and BPS Fine values vary between firing modes.

Due to variances in the timing of both the Luxe® and paintball shot timers, it is recommended that players confirm timing values with a field's shot timer before competition to reduce the chance of a penalty.

⇒ **BPS FINE** ⇐

The rate of fire cap may be fine tuned through adjustment of the BPS Fine setting, which is added to the BPS Limit value. BPS Fine ranges from 0 to 9 and adds tenths of a ball per second to the rate of fire limit. For example, a BPS Limit of 12, combined with a BPS Fine setting of 8 will result in a 12.8 BPS cap to maximize firepower under a 13 BPS tournament limit while still providing a margin of error to reduce the chance of a penalty.

Rebound, Auto Response and Capped Semi modes are limited to 20 BPS. All other modes are limited to 15 BPS, except Semi-Auto, which has no cap.

⇒ **BYPASS BPS** ⇐

Bypass BPS is an additional rate of fire limit that is imposed when the Vision system detects a fault, such as paint or debris that prevents it from working properly. The Bypass BPS setting can be adjusted to ensure that the Luxe® fires slower than its loader's slowest response rate. Bypass BPS is adjustable between 6 and 16 bps, though the Luxe® firmware will not allow it to be adjusted to a value higher than the BPS limit.

⇒ **FIRST SHOT DROP** ⇐

The o-rings in the Luxe® power core may become set in position when resting between shots, causing slightly more friction than is seen during rapid firing. This results in the first shot of a group having decreased velocity, also known as First Shot Drop Off, or FSDO. In order to overcome this friction, the anti-bolt-stick function of the Luxe® firmware will slightly increase the dwell time of the first shot in a group. The increased dwell will compensate for the change in friction, keeping velocity more consistent. The standard value for First Shot Drop is 7 milliseconds, and it may be adjusted between 0 and 25 milliseconds in one millisecond increments. A setting of 0 turns off first shot drop compensation.

SOFTWARE

ALL ELECTRONIC SETTINGS AND FEATURES

FIRST SHOT DROP TIMER

This setting adjusts the amount of time which the Luxe® must be at rest between shots before activating the anti-bolt-stick dwell increase. Time is adjustable between 20 and 100 seconds in 20 second increments. The default setting is 20 seconds.

GAME TIMER ENABLE

The Luxe® is equipped with a count-down timer. When Game Timer Enable is turned on, the Luxe® switches to an alternate display layout, showing the remaining game time. The game timer begins counting down after a single short press of the power button.

VISION MODE

The Vision anti-chop system in the Luxe® may be programmed to operate with one of two strategies. Vision® will stop the Luxe from firing if there is not a ball detected in the breach when the trigger is pulled. Forced Shot will still provide Vision operation during normal trigger pulls. If the trigger is held down for a long trigger pull, Forced Shot Vision® will fire even if a paintball is not detected in the breach.

SHOTS TO ENTER

Shots To Enter determines the number of trigger pulls that must be made at the *Shots To Sustain* rate in order to activate Rebound mode and deliver more than one shot per trigger pull. Shots To Enter may be adjusted from 1 to 5 and has a default value of 3.

TRIGGER DEBOUNCE

When the Luxe® trigger switch is activated, it will create a series of very fast electrical pulses before a complete connection is made. The Luxe® firmware uses the Trigger Debounce setting to determine the difference between this switch noise and the solid signal from a completed trigger pull. Trigger signals which last longer than the Trigger Debounce value are considered to be a valid trigger pull. The Trigger Debounce value is adjustable between 1 and 25 milliseconds in 1 millisecond increments. The default value is 7 milliseconds.

TOURNAMENT LOCK

When turned on, the Tournament Lock blocks access to the Main Menu via the power button and trigger, requiring use of a tool to open the rubber grip and make adjustments (See **4.3 ADDITIONAL POWER BUTTON FEATURES**). The Tournament Lock is off by default. Because the Tournament Lock may be turned on by the trigger and power button, it is convenient to unlock the Luxe® at a paintball field's staging area, close its grip, make adjustments at the chrono station with trigger based programming, and then lock the marker with the Tournament Lock before heading on to the field.

GAME TIMER

The Game Timer may be set between 1 and 60 minutes, in 1 minute increments.

SHOTS TO SUSTAIN

The trigger must be pulled repeatedly at this rate for the *Shots To Enter* number of times to activate Rebound mode, and must continue to be pulled at this rate to keep Rebound mode active. This setting is adjustable between 2 and 10 balls per second and has a default value of 5 BPS.

LOADER DELAY

The loader delay allows time for the paintball to seat fully in the breach, after the Vision system has detected it, before the Luxe fires. For forced feed loaders, less time is necessary than with gravity fed loaders. The loader delay is adjustable between 0 and 15 milliseconds with a default setting of 3.



MECHANICAL DEBOUNCE

When a paintball marker's trigger is adjusted to an extremely short pull, it is sometimes possible for the vibration of firing to activate the trigger, causing a runaway condition where one shot triggers the next shot. The Mechanical Debounce filtering function of the Luxe® firmware can be set to discriminate against these mechanical bounces, allowing for extremely sensitive trigger adjustment while meeting tournament rule and field safety requirements. Mechanical Debounce is adjustable over a range of 0 (off) to 10, and is off by default.

AUTO SHUTDOWN

The Luxe® will automatically turn itself off to conserve battery power if it is not fired for an extended period of time. The Auto Shutdown Timer is set to 30 minutes by default, and may be adjusted from 5 to 60 minutes.

SOFTWARE VERSION

Although this item cannot be adjusted, selecting it to be set will cause the Luxe® to read out the version number of the currently installed Luxe® firmware.

SPEAKER VOLUME

The Volume of the Luxe speaker is adjustable. Volume may be set to 1-silent, 2-quiet, or 3-loud.

VOICE SELECT

As configured from DLX Technology, the Luxe speaks English, German, Spanish and Russian. Alternatively, different voice sets may be loaded into voice banks 2, 3 and 4 with the Luxe USB interface software and cable (see **SOFTWARE 4.5.**) Selecting each voice bank allows its voice set to be used.



MAINTENANCE

ESSENTIAL STEPS FOR PEAK LUXE® PERFORMANCE

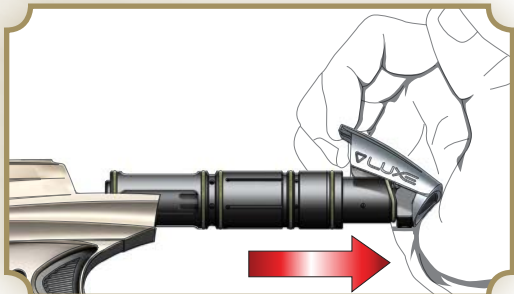


BASIC GUIDE TO RELEASING THE LUXE® POWER CORE QUICK-STRIP LATCH

THE INNOVATIVE LUXE® POWER CORE CAN BE REMOVED IN SECONDS, NO TOOLS REQUIRED.



fin.



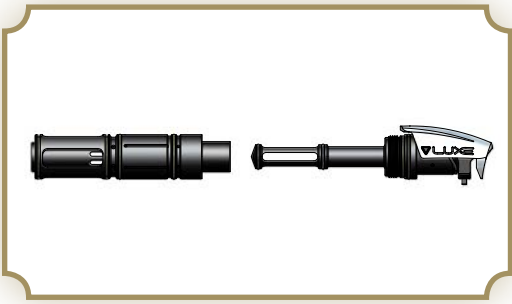
MAINTENANCE 5.1 LUXE® POWER CORE

THE HEART OF YOUR LUXE® is the Luxe® Power Core. This single module comprises both the marker's bolt and exhaust valve system. Its compact, tool-free design makes the Luxe® incredibly fast and simple to maintain. The Luxe® should be disassembled and cleaned any time it shows erratic performance, becomes contaminated with paint, dirt or other debris, or for preventative maintenance after 3 or 4 days of use.

STEP ONE UNLOAD AND DEGAS YOUR LUXE®

UNLOAD AND DEGAS YOUR LUXE® (see **HARDWARE 3.2.**) Turn off and or remove the gas supply. Remove the barrel then lift the quick-strip latch at the rear of the marker and pull out the Power Core. If the Power Core has not been removed recently it may need to be wiggled slightly to break o-ring friction.

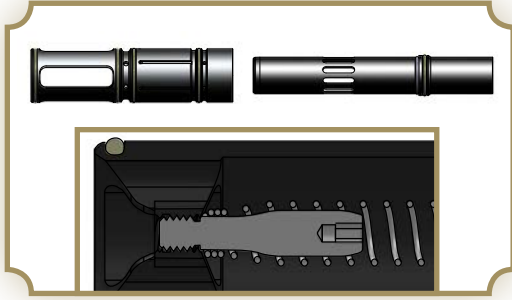
2



STEP TWO REMOVE THE FIRE CHAMBER

BEGIN DISASSEMBLING THE LUXE® POWER CORE by unscrewing the fire chamber from the quick strip plug, then slide the bolt and fire chamber off of the bolt guide.

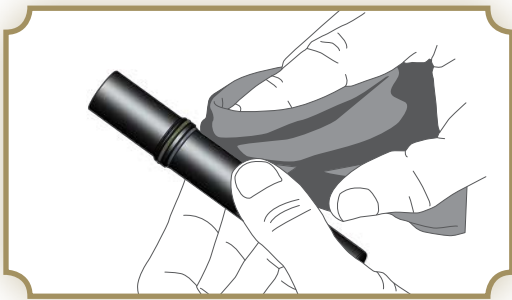
3



STEP THREE REMOVE THE BOLT

SLIDE THE BOLT OUT of the fire chamber. Note the bolt spring mounted inside the bolt. The bolt spring eliminates bolt stick problems (extra friction causing the bolt to move slowly or delaying bolt movement) for improved performance in dirty or cold conditions. If the bolt spring is damaged, it may be removed and the Luxe may safely be operated without it until a replacement can be obtained from DLX. If the Luxe is operated without a bolt-spring, it may be necessary to increase the value of the first shot drop setting (see **SOFTWARE 4.6**). The bolt spring screw in the center of the bolt spring may be removed through the back of the bolt or reinstalled using the t-handle allen-wrench included with the Luxe. The bolt spring screw is secured with Loctite® 271 (red) or equivalent, so the bolt face must be heated with a heat gun or lighter before removal. When reinstalling the bolt spring screw, it must be secured in place with thread locking compound. The screw must not be over-tightened. Its end should be just below the surface of the bolt face.

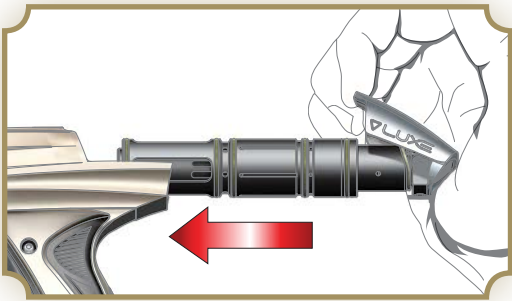
4



STEP FOUR CLEAN THE POWER CORE

USING A CLEAN, SOFT CLOTH, wipe dirt, paint debris and old grease from all of the Power Core surfaces. Inspect all o-rings and replace any which show significant signs of wear, or have rips, tears or other damage. The windows milled into the side of the fire chamber allow easy access for inspecting internal o-rings and changing them if necessary. Make sure the gas vents in the sides and front of the fire chamber and bolt are clean and clear.

5



STEP FIVE LUBRICATE & REINSERT THE POWER CORE

LUBRICATE ALL O-RINGS WITH A LIGHT COATING of GR33SE™ marker grease. Take care to ensure that grease is applied to inner o-rings at the front and middle of the fire chamber. Slide the bolt and fire chamber onto the bolt guide, and screw the fire chamber to the quick-strip plug. Insert the Power Core into the rear of the Luxe® body, with the quick strip latch lifted up. Once the Power Core is in position, close the quick strip latch.

MAINTENANCE

ESSENTIAL STEPS FOR PEAK LUXE® PERFORMANCE

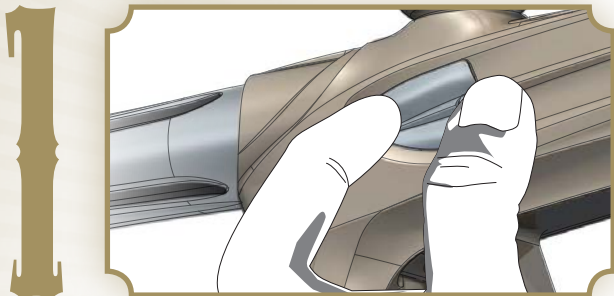


BASIC GUIDE TO REMOVING THE LUXE® QUICK-SNAP DETENT ASSEMBLIES

THE LUXE® BALL DETENT ASSEMBLIES PROVIDE INSTANT TOOL-FREE ACCESS FOR CLEANING THE BALL DETENTS AND VISION SYSTEM IN THE FIELD.



fin.



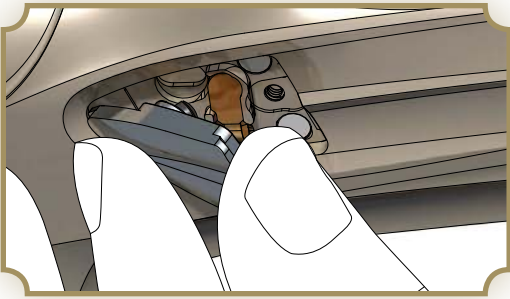
MAINTENANCE 5.2 BALL DETENTS & VISION EYES

THE LUXE® QUICK-SNAP BALL DETENT ASSEMBLIES serve both to prevent double-feeding of paint, and to protect the Vision anti-chop eye system. Their unique magnetic and physical latch systems keeps them secure, while allowing for easy tool-free maintenance. There is a ball detent assembly on each side of the marker, and both should be cleaned and inspected in the same manner.

STEP ONE PRESS DETENT ASSEMBLY

PRESS ON THE FORWARD POINT OF THE BALL DETENT ASSEMBLY while sliding the Quick-Snap latch forward. This will separate the magnets at the rear, pushing the assembly's back edge out from the Luxe® body.

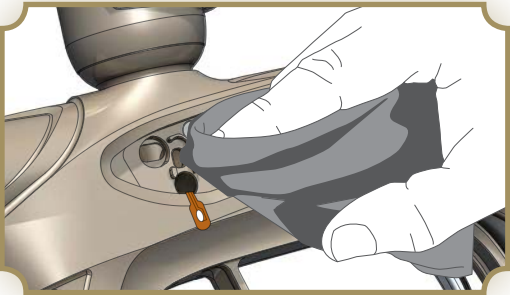
2



STEP TWO REMOVE DETENT ASSEMBLY

GRASP THE BALL DETENT ASSEMBLY from the rear, and lift outward, away from the Luxe® body.

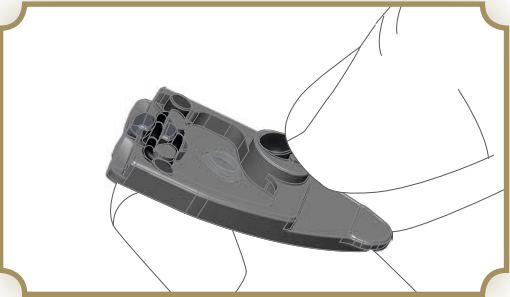
3



STEP THREE CLEAN VISION EYE POCKET

LIFT OUT THE VISION EYE from its pocket in the Luxe® body. Using a soft cloth or cotton swab, clean any paint, debris or grease from the passage between the eye pocket and the breech, or from the eye itself. If debris buildup is severe, use a cotton swab dampened with rubbing alcohol for cleaning the Vision eye and its pocket and allow them to dry completely before proceeding. Take care not to scratch the Vision eye or strain its flex-strip circuit. Gently re-seat the Vision eye in its pocket, with its emitter or sensor facing inward.

4



STEP FOUR INSPECT BALL DETENT PLUNGER

CLEAN AND INSPECT THE BALL DETENT PLUNGER in the ball detent assembly. It should move freely when pressed in and released. If the plunger or the Quick-Strip latch tension o-ring show significant signs of wear or binding, replace them following the instructions in **ADVANCED MAINTENANCE 6.3**.

5



STEP FIVE REINSTALL DETENT

REINSERT THE BALL DETENT ASSEMBLY by hooking its pointed edge into the front side of its pocket in the Luxe® body. Then angle the rear into place, allowing the rare-earth magnets to grip and secure it in place. Make sure that the latch has clicked into the locked position. Test the latch by pressing on the forward point of the detent assembly to make sure it does not pop out.

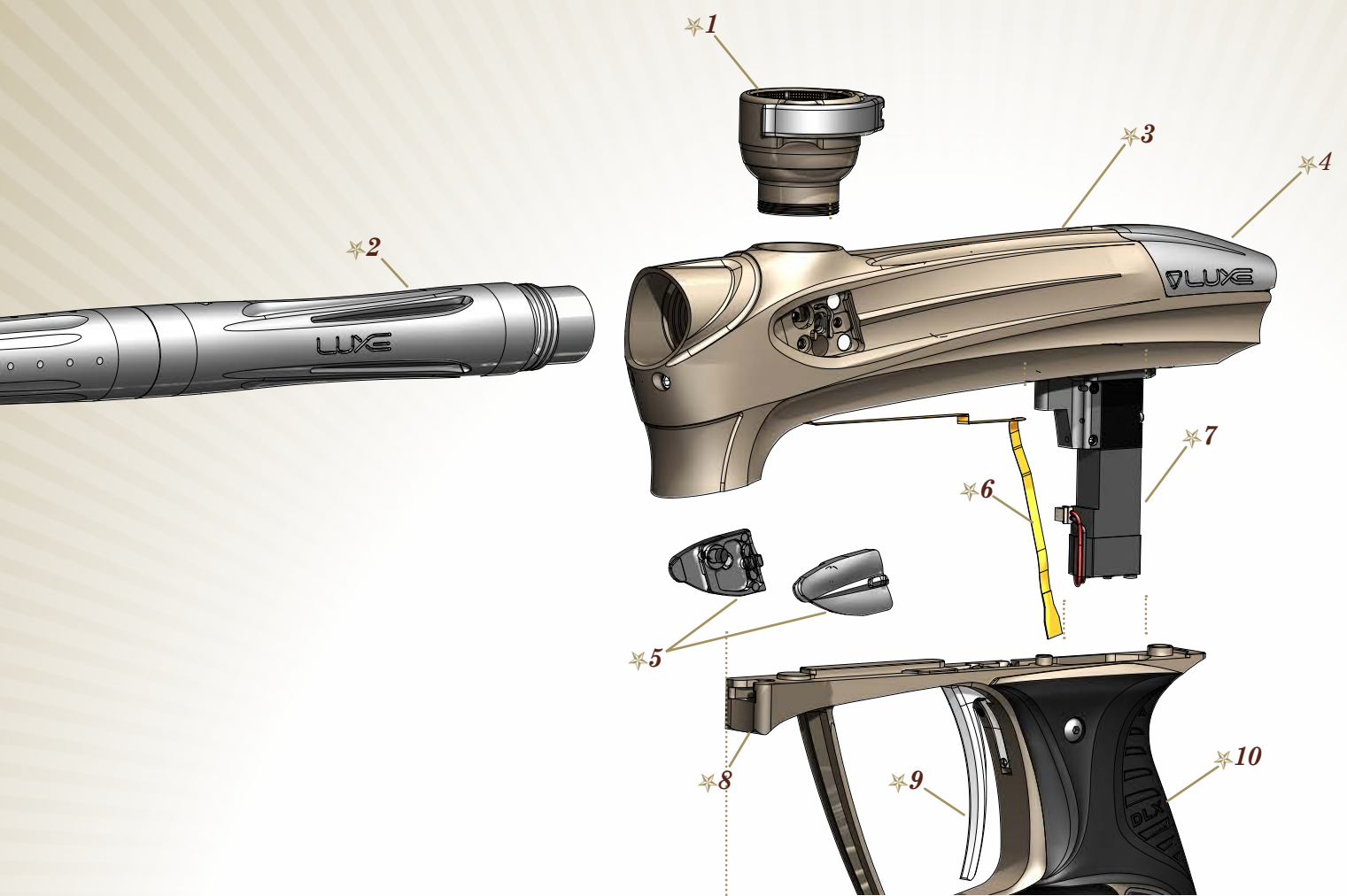


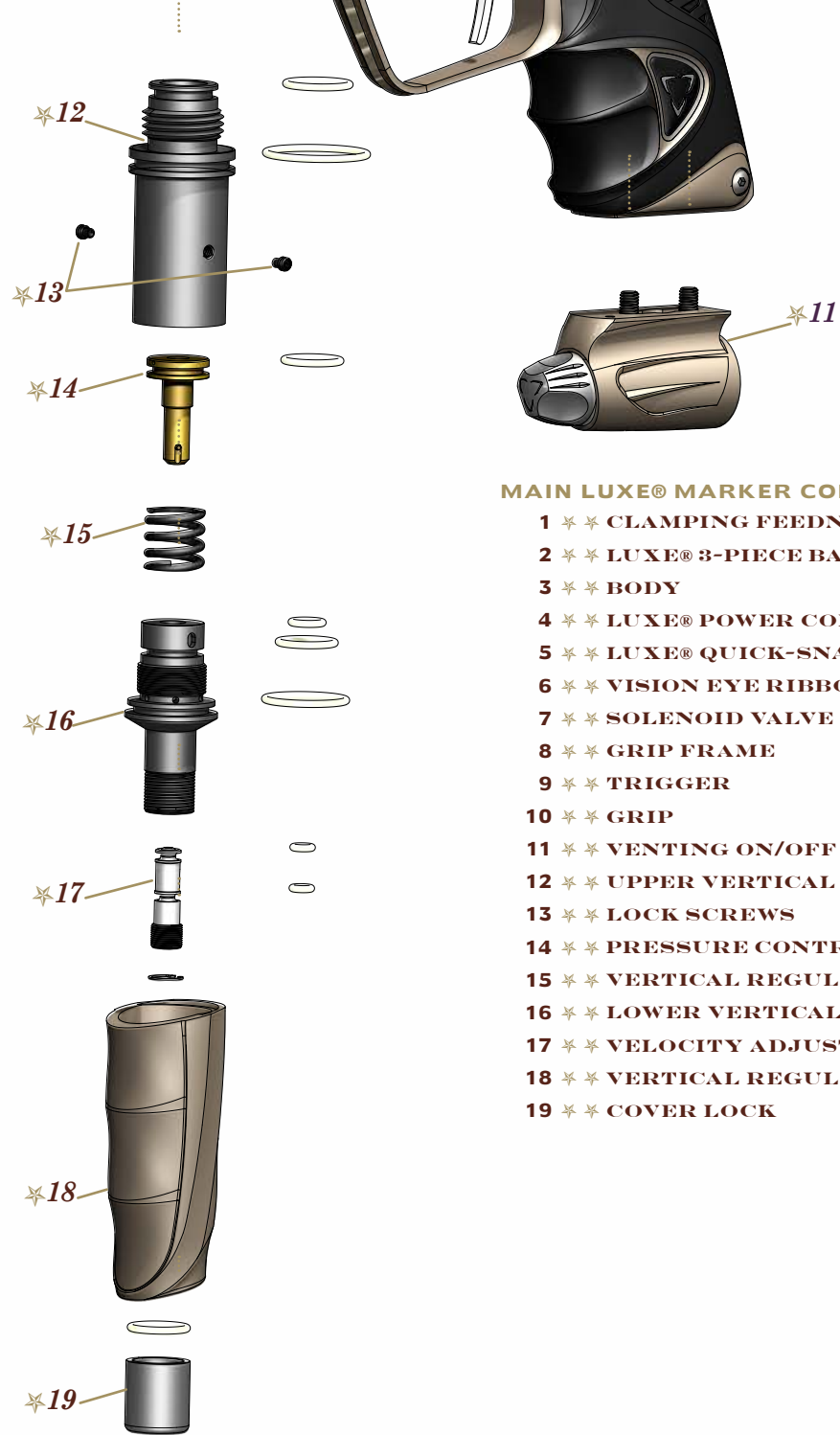
ADVANCED MAINTENANCE

REPAIR PROCEDURES TO GET YOUR LUXE® BACK IN THE GAME

ADVANCED MAINTENANCE 6.1 INTRODUCTION

UNDER NORMAL CONDITIONS, YOUR LUXE® should only need the basic maintenance procedures performed. This advanced maintenance section is provided to give you additional familiarity with the Luxe®. If you do not feel comfortable with going beyond regular maintenance, see your Authorized Luxe® dealer for support.





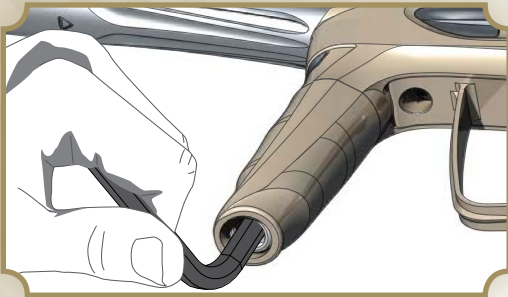
MAIN LUXE® MARKER COMPONENTS

- 1 ✪ ✪ CLAMPING FEEDNECK
- 2 ✪ ✪ LUXE® 3-PIECE BARREL SYSTEM
- 3 ✪ ✪ BODY
- 4 ✪ ✪ LUXE® POWER CORE
- 5 ✪ ✪ LUXE® QUICK-SNAP DETENT ASSEMBLIES
- 6 ✪ ✪ VISION EYE RIBBON
- 7 ✪ ✪ SOLENOID VALVE & MANIFOLD
- 8 ✪ ✪ GRIP FRAME
- 9 ✪ ✪ TRIGGER
- 10 ✪ ✪ GRIP
- 11 ✪ ✪ VENTING ON/OFF BOTTOM-LINE
- 12 ✪ ✪ UPPER VERTICAL REGULATOR HOUSING
- 13 ✪ ✪ LOCK SCREWS
- 14 ✪ ✪ PRESSURE CONTROL PISTON
- 15 ✪ ✪ VERTICAL REGULATOR SPRING
- 16 ✪ ✪ LOWER VERTICAL REGULATOR HOUSING
- 17 ✪ ✪ VELOCITY ADJUSTER
- 18 ✪ ✪ VERTICAL REGULATOR COVER
- 19 ✪ ✪ COVER LOCK

ADVANCED MAINTENANCE

REPAIR PROCEDURES TO GET YOUR LUXE® BACK IN THE GAME

1



ADVANCED MAINTENANCE 6.2 SERVICING THE VERTICAL REGULATOR

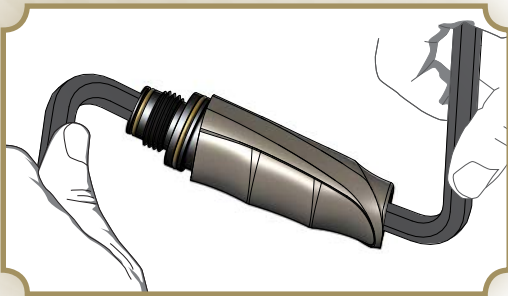
WARNING

SERVICE AND ADJUSTMENTS TO THE REGULATOR WILL CAUSE CHANGES IN ITS OUTPUT PRESSURE. RE-ADJUST THE REGULATOR FOR THE CORRECT VELOCITY USING A CHRONOGRAPH AS DESCRIBED IN THE MARKER'S MANUAL.

STEP ONE REMOVE REGULATOR FROM ASA

WITH THE LUXE® UNLOADED AND DEGASSED, use a 5/16-inch allen wrench to unscrew the Luxe® vertical regulator from the bi-directional ASA. Hold the regulator cover to prevent it from turning with the regulator. Inspect and clean the o-ring at the top of the regulator, then lubricate it with GR33SE™.

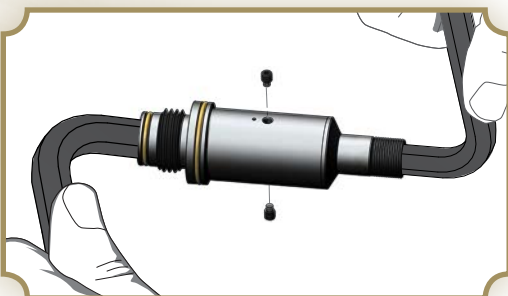
2



STEP TWO REMOVE REGULATOR COVER

INSERT A 3/8-INCH ALLEN WRENCH into the top of the Luxe® regulator, and a 3/8-inch allen wrench into the cover lock at the bottom. Turn the allen wrenches counter-clockwise relative to one another to unscrew the cover lock, and slide the Luxe® regulator out of its cover. Clean and inspect both o-rings on the bi-directional ASA fitting at the top of the regulator, and replace if damaged. Lubricate both o-rings with GR33SE™.

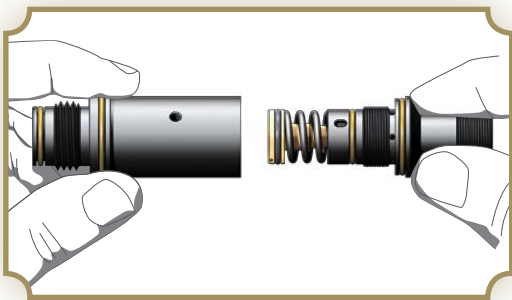
3



STEP THREE DISASSEMBLE REGULATOR HOUSING

USE A 5/64-INCH ALLEN WRENCH to remove the two lock-screws from the sides of the Luxe® regulator. Using a 3/8-inch allen wrench in the top regulator housing, insert a 5/16-inch allen wrench into the lower regulator housing and turn the two counter-clockwise relative to one another. Remove the lower regulator housing from the upper.

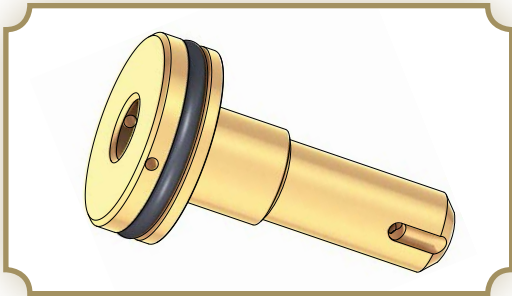
4



STEP FOUR PRESSURE CONTROL PISTON

THE BRASS PRESSURE CONTROL PISTON and regulator spring may come out with the lower regulator housing. If they do, the pressure control piston may be pulled out of the lower regulator housing by hand. If the pressure control piston remains in the regulator housing, the regulator spring can be dropped out by tilting the upper regulator housing, and a 5/16-inch allen wrench may be used to push the pressure control piston out from the top.

5



STEP FIVE INSPECT SEALS AND REGULATOR HOUSING

AT THIS LEVEL OF DISASSEMBLY, the pressure control piston seal and regulator housings may be inspected, and cleaned with a soft cloth or cotton swab. If the piston seal shows signs of excessive wear or damage, it must be replaced. Lightly lubricate all o-rings with GR33SE™ for reassembly. For normal maintenance this is all that must be done.

6



STEP SIX VELOCITY ADJUSTER

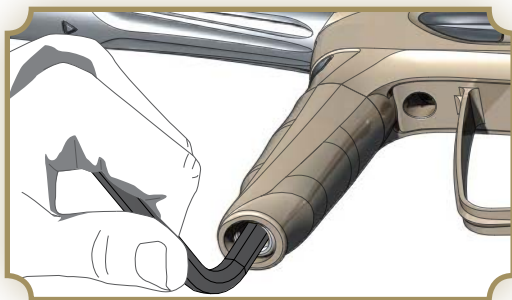
THE VELOCITY ADJUSTER SHOULD only be removed if leaking. Using a narrow pair of snap-ring pliers, remove its lock ring, then unscrew it clockwise (the velocity adjuster is left-hand threaded) out the bottom of the lower regulator housing. Clean, inspect, lubricate and if necessary replace the adjuster's o-rings, then reinstall it with the reverse procedure.



WARNING

PARTS OF THE LUXE® INTEGRATED AIR VERTICAL REGULATOR USE LEFT-HANDED THREADS. THESE PARTS MUST BE TURNED COUNTER-CLOCKWISE TO SCREW THEM IN AND CLOCKWISE TO UNSCREW THEM—THE OPPOSITE DIRECTION OF NORMAL SCREWS.

7



STEP SEVEN REASSEMBLE REGULATOR

REASSEMBLY IS PERFORMED in the reverse order of disassembly. Insert the pressure control piston into the upper regulator housing, followed by the regulator spring. Screw the lower regulator housing into the upper housing. Look in the lock screw holes to make sure the two halves are aligned properly. Reinstall the lock screws, securing them with blue Loctite® 242. When the housing halves are properly aligned, the lock screws will be able to sit flush with the body. If they do not sit flush, remove them and realign the body halves. Do not over-tighten the lock screws. Using a 5/16-inch allen wrench from the bottom, screw the regulator into the bi-directional ASA then slide the regulator cover in place and secure it with the cover lock.

ADVANCED MAINTENANCE

ADV. MAINTENANCE 6

REPAIR PROCEDURES TO GET YOUR LUXE® BACK IN THE GAME

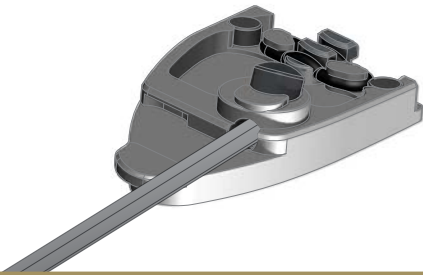


FIG. 1

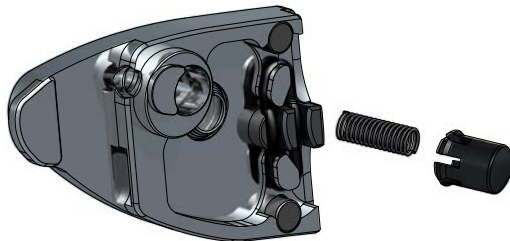


FIG. 2

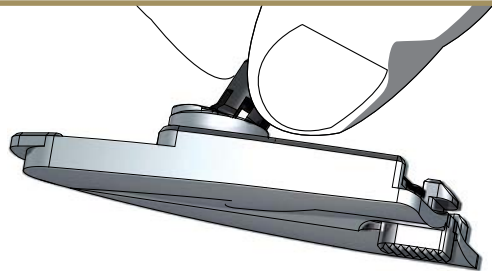


FIG. 3

ADVANCED MAINTENANCE 6.3 BALL DETENT ASSEMBLIES

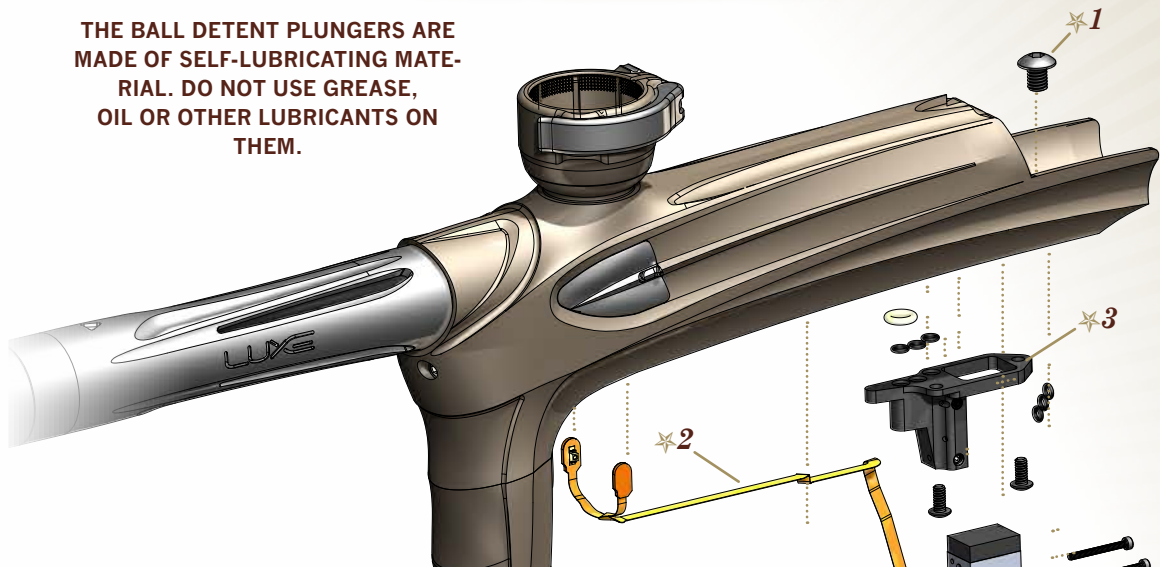
IF THE BALL DETENT PLUNGER OR ITS SPRING are worn and need replacing, this is a relatively simple task. Remove the ball detent assemblies from the Luxe®, and press their plungers in and out. You should see one of the plunger's fingers moving back and forth across the detent release hole.

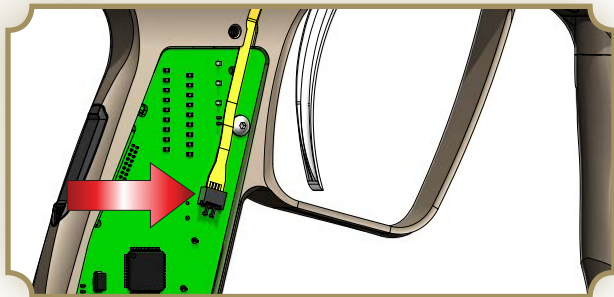
Take your 1/16-inch allen wrench, and reach it into the release hole [FIG. 1.] Use the allen wrench to pry outward on the backside of the ball detent plunger. Once the plunger is popped loose, you may pull it out of the ball detent cover with your fingers or a pair of needle-nosed pliers. You will probably damage the ball detent spring in the process, and for this reason it is normal to replace both the plunger and spring at the same time. If you are careful and not put the wrench in any further than is needed to pry against the closest edge of the plunger, you can avoid damage to the ball detent spring. Also check the Detent Assembly tension spring to make sure it is properly seated. Replace if bent or damaged. If, necessary the Quick-Strip latch may be removed for cleaning by first removing its tension garter spring. Replace the spring if worn.

Carefully clean the ball detent cover with rubbing alcohol and a cotton swab. Install the new ball detent plunger, with its spring beneath it, into the ball detent cover [FIG 2.] You will need to pinch the plunger's fingers inward and wiggle it until it presses inside the cover and latches into place [FIG. 3.] Be careful, and make sure you are doing this in a clean work area—if you slip, the spring can jump away from you, and it is much easier to find on a clean work table.

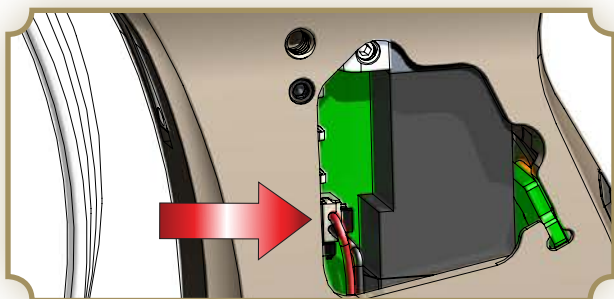
WARNING

THE BALL DETENT PLUNGERS ARE MADE OF SELF-LUBRICATING MATERIAL. DO NOT USE GREASE, OIL OR OTHER LUBRICANTS ON THEM.

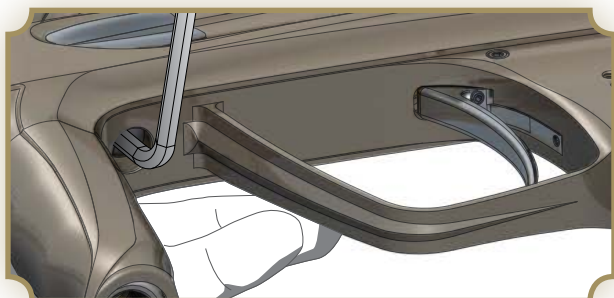




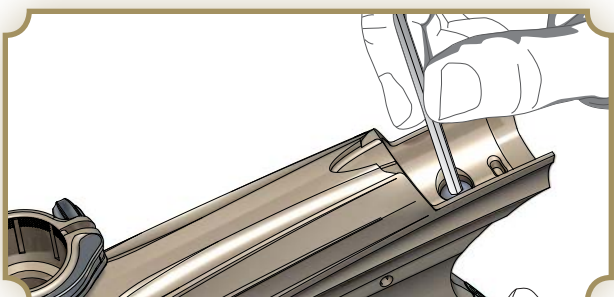
❧ FIG. 4 ❧



❧ FIG. 5 ❧



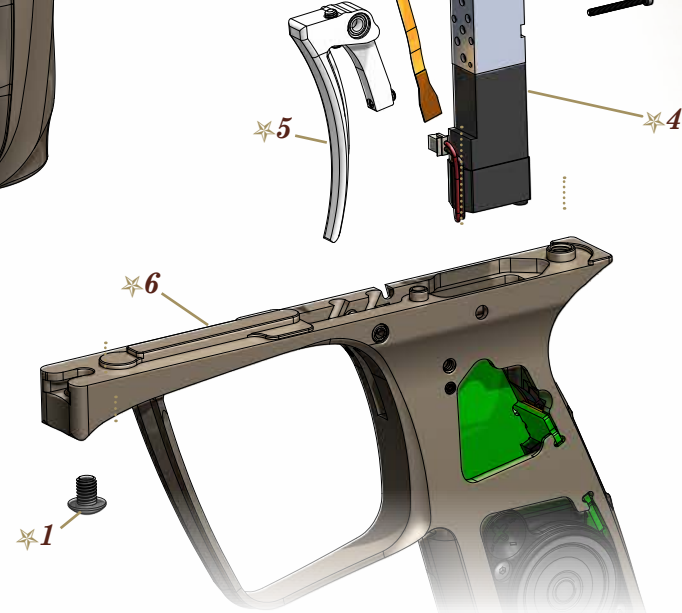
❧ FIG. 6 ❧



❧ FIG. 7 ❧

MAIN GRIP FRAME COMPONENTS

- 1 ❧❧ GRIP FRAME SCREWS
- 2 ❧❧ VISION EYE STRIP
- 3 ❧❧ SOLENOID MANIFOLD
- 4 ❧❧ SOLENOID VALVE
- 5 ❧❧ TRIGGER
- 6 ❧❧ GRIP FRAME



ADVANCED MAINTENANCE 6.4 GRIP FRAME REMOVAL

REMOVING THE LUXE® GRIP FRAME IS NOT a part of regular maintenance. It should only need to be performed if replacing the anti-chop Vision eyes or solenoid valve. It is recommended that this procedure be performed by a Certified Luxe® Technician, as re-assembly errors may cause leaks in the Integrated Air system or damage to the Luxe® body.

To remove the grip frame first unload and degas the Luxe®. Next use a 5/64-inch allen wrench to remove all four grip screws and the flexible rubber grip. Unplug both the flexible Vision eye ribbon [FIG. 4] and the solenoid valve [FIG. 5.]

Use a 1/8-inch allen wrench to loosen the forward grip frame screw [FIG. 6.] Use the same allen wrench to loosen the rear grip frame screw from the top [FIG. 7.]

While carefully supporting both the Luxe® body and grip frame, completely remove the front and rear grip frame screws. Next, carefully lift the receiver apart from the grip frame. Take care not to snag the solenoid valve connector, and notice how the Vision eye cable is routed through slots in the bottom of the receiver.

With the receiver and grip frame apart, the solenoid valve and solenoid manifold may be removed from the Luxe® receiver by removing their respective screws. A 1.5mm allen wrench will be required to remove the screws holding the solenoid valve to its manifold. Once the solenoid manifold is separated from the receiver, the Vision eye strip is free to be lifted out of its channel in the Luxe® body. With the ball detent assemblies removed (see MAINTENANCE 5.2) the eyes may be lifted out of their pockets and passed down through their openings in the receiver.

Reassembly is performed in the reverse order of disassembly. It is critical to ensure that the solenoid valve wires and Vision eye flex strip are routed properly, and do not become bent or pinched. The sensor and emitter ends of the Vision eye flex strip are keyed with a notched corner to ensure that they are placed on the correct side of the marker. When plugging the Vision flex strip into the Luxe® circuit board, be certain the side with the shiny metal contact surfaces faces outward, away from the circuit board. The forward and rear grip frame screws must be snug, but not overtightened. Over-tightening the solenoid valve or solenoid manifold screws may cause permanent damage.

ADVANCED MAINTENANCE

ADV. MAINTENANCE 6

REPAIR PROCEDURES TO GET YOUR LUXE® BACK IN THE GAME

MAIN LUXE® POWER CORE COMPONENTS

- | | |
|------------------------------|-------------------------------|
| 1 ** QUICK-STRIP LATCH COVER | 6 ** DEGASSING VALVE CORE PIN |
| 2 ** LATCH COVER SCREW | 7 ** QUICK-STRIP PLUG |
| 3 ** LATCH RETURN O-RING | 8 ** FIRING CHAMBER |
| 4 ** QUICK-STRIP LATCH | 9 ** BOLT |
| 5 ** PIVOT PIN | 10 ** BOLT GUIDE |



FIG. 1

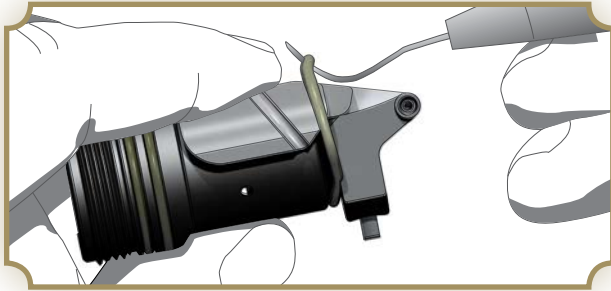
ADVANCED MAINTENANCE 6.5 QUICK-STRIP PLUG DISASSEMBLY

IT MAY OCCASIONALLY BECOME NECESSARY to disassemble the Luxe® Power Core's quick strip plug. First, remove and disassemble the Power Core, following the instructions in **MAINTENANCE 5.1**.

Unscrew the bolt guide from the quick strip plug and remove it [FIG. 1.] Lift the quick-strip latch and use a 3-32-inch allen wrench to remove the screw that secures its cover [FIG. 2.] The quick-strip latch cover will then lift off of the latch. You will now be able to see the latch return o-ring. This o-ring does not create a seal, instead it acts as a spring to keep the quick-strip latch closed. It may be removed with an o-ring pick [FIG. 3.] Using a 0.050-inch allen-wrench, unscrew and remove the quick-strip latch pivot pin from the rear of the quick-strip plug [FIG. 4.]



❧ FIG. 2 ❧



❧ FIG. 3 ❧



❧ FIG. 4 ❧



❧ FIG. 5 ❧

With the pin removed, the latch can be lifted upward, exposing the degassing valve core and its black o-rings [FIG. 5.] If the quick-strip latch was closed while your Luxe® was still connected to a gas supply, and has developed a leak, these are the o-rings likely to have been damaged. To replace, simply remove them with an o-ring pick and slide new o-rings into place, lubricating them lightly with GR33SE™.

The degassing valve core pin also serves as the locking pin which secures the Power Core in the Luxe® body. Inspect the lower end of the degassing valve core pin for signs of wear or bending, its edges should be square and undamaged.

Reassembly of the Power Core is performed in reverse of disassembly. Lower the cleaned and GR33SE™ lubricated degassing valve core down into the quick-strip plug, and align the rear of the quick-strip latch. Slide the quick-strip latch pivot pin into place, and screw it in, taking care not to over-tighten. Use a small amount of Blue Loctite® 242 or equivalent threadlocker (if unavailable, clear nail polish may substitute) on the threads of the latch cover screw and pivot pin. Lift up the latch, set the latch cover in place, and secure it with its screw. Next screw the bolt guide back into the quick-strip plug, and re-assemble the Power Core.

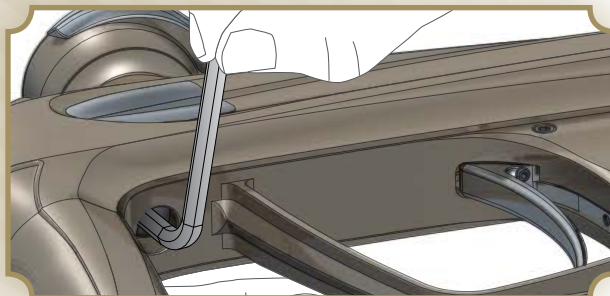


ADVANCED MAINTENANCE

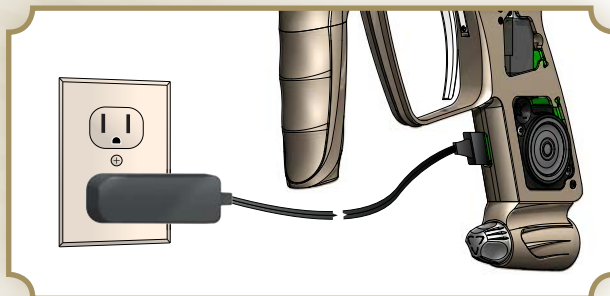
REPAIR PROCEDURES TO GET YOUR LUXE® BACK IN THE GAME



❧ FIG. 1 ❧



❧ FIG. 2 ❧



❧ FIG. 3 ❧

ADVANCED MAINTENANCE 6.6 TROUBLESHOOTING

PROBLEM

AFTER ACCIDENTALLY CLOSING THE QUICK-STRIP LATCH, WHILE THE MARKER'S HPA SYSTEM WAS TURNED ON, THE LUXE® HAS A SLOW, CONTINUOUS LEAK.

SOLUTION

✦ Disassemble the Quick Strip Plug [FIG. 1,] following the instructions in this manual, and replace the damaged degassing core o-rings (see **ADVANCED MAINTENANCE 6.5.**)

LUXE® POWER CORE WILL DEGAS, BUT CATCHES ON SOMETHING AND WILL NOT SLIDE OUT.

✦ If the rear grip frame screw has become loose it may catch on the Power Core. With the Luxe® unloaded and degassed, loosen the front grip frame screw [FIG. 2,] two or three turns, then pull the grip frame away from the body, creating a slight gap between them. This will pull the rear grip frame screw down and out of the way, allowing for removal of the Power Core. Re-tighten both grip frame screws.

✦ ✦ If this is a recurring problem, you may wish to secure the rear grip frame screw with a small amount of Loctite® 242 (blue) or equivalent thread-locking compound.

LUXE® WILL NOT TURN ON WHEN POWER BUTTON IS DOUBLE-PRESSED.

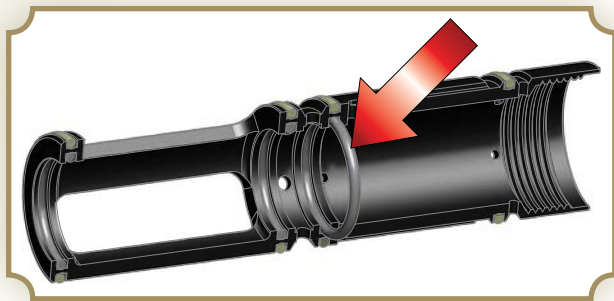
✦ Recharge the Luxe® battery [FIG. 3] following the instructions in this manual (see **HARDWARE 3.6.**)

✦ ✦ Following the battery replacement instructions (see **HARDWARE 3.6.**) ensure that the battery is installed and connected securely to the Luxe® circuit board.

FIRST SHOT FIRED HAS LOW VELOCITY BUT STABILIZES WITH FOLLOWING SHOTS (FIRST SHOT DROP-OFF.)

✦ Clean, inspect and lubricate the Luxe® Power Core and bolt spring (see **MAINTENANCE 5.1.**)

✦ ✦ Increase FSD Compensation setting (see **SOFTWARE 4.6**)



❧ FIG. 4 ❧

LUXE® WILL TURN ON AND MAKES PUFFING SOUND WHEN TRIGGER PULLED BUT WILL NOT FIRE.

✧ Make sure that the Dwell setting is set to the default value or higher (see **SOFTWARE 4.6.**)

✧ ✧ Clean the Power Core, and replace and lubricate the fire chamber's inner o-rings. (see **MAINTENANCE 5.1.**)

✧ ✧ ✧ Replace the o-ring indicated in **[FIG 4.]**

VELOCITY DROPS OFF DURING RAPID FIRE.

✧ Clean, inspect and lubricate the Luxe® Power Core (see **MAINTENANCE 5.1.**)

ADVANCED MAINTENANCE 6.7 LIMITED WARRANTY

WARRANTY SUPPORT AND SERVICE FOR DLX TECHNOLOGY GROUP PRODUCTS IS PROVIDED BY FACTORY TRAINED SERVICE TECHNICIANS AT LUXE® AUTHORIZED DEALERS.

DLX TECHNOLOGY GROUP WARRANTS FOR ONE (1) YEAR TO INITIAL RETAIL PURCHASER THAT THE PAINTBALL MARKER AND REGULATOR COMPONENTS ARE FREE FROM DEFECTS IN MATERIALS AND WORKMANSHIP. THE VALVE ASSEMBLY AND SOLENOID ARE WARRANTED FOR SIX (6) MONTHS. DISPOSABLE PARTS (BATTERIES, O-RINGS, SEALS, ETC.) ARE NOT WARRANTED. ELECTRONIC COMPONENTS ARE WARRANTED FOR SIX MONTHS WITHOUT THE INCLUSION OF INSTALLATION AND LABOR CHARGES.

THIS WARRANTY DOES NOT COVER SURFACE DAMAGES (SCRATCHES AND NICKS), MISUSE, IMPROPER DISASSEMBLY AND RE-ASSEMBLY, ATTEMPTS MADE TO DRILL HOLES OR REMOVE METAL FROM THE EXTERNAL SURFACES WHICH COULD DEGRADE PERFORMANCE AND REDUCE PRESSURE SAFETY FACTORS OF THE MARKER. DO NOT MAKE CHANGES TO THE BASIC MARKER PARTS WITHOUT WRITTEN APPROVAL. THE ONLY AUTHORIZED LUBRICANT FOR THE MARKER IS GR33SE™ LUBRICANT. USE OF ANY OTHER LUBRICANT COULD RESULT IN VOIDING YOUR WARRANTY. PAINTBALL MARKERS ARE NON-REFUNDABLE.

THIS WARRANTY IS LIMITED TO REPAIR OR REPLACEMENT OF DEFECTIVE PARTS WITH THE CUSTOMER RESPONSIBLE FOR TRANSPORTING THE PRODUCT TO AND FROM THE LUXE® AUTHORIZED DEALER. THIS WARRANTY IS EFFECTIVE ONLY IF THE CUSTOMER RETURNS THE WARRANTY REGISTRATION CARD ENCLOSED WITH THE MARKER. THE WARRANTY IS NON-TRANSFERABLE. DO NOT ATTEMPT TO ALTER THE TRIGGER ASSEMBLY IN ANY WAY, AS THIS WILL VOID YOUR DLX TECHNOLOGY GROUP WARRANTY. TRIGGER ALTERATION OF ANY KIND MAY RESULT IN SERIOUS INJURY.

