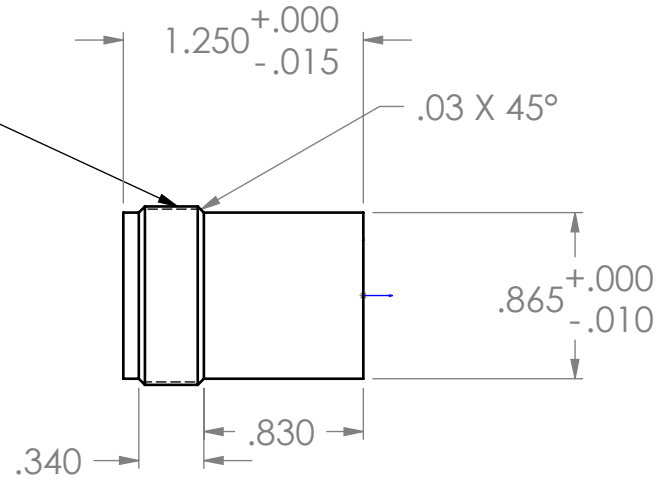
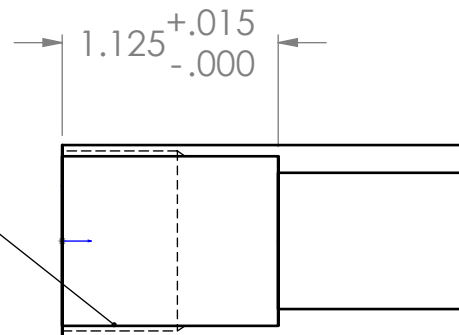


REV.	DATE	ECN #	REVISION RECORD	DR	CK
------	------	-------	-----------------	----	----


15/16-20 UNEF A2
ALLOWANCE 0.0014
PITCH DIA: .9036-.8991
MINOR DIA: .8766
MAJOR DIA: .9361-.9280



15/16-20 UNEF B2
PITCH DIA: .9109 -.9050
MINOR DIA: .8950 -.8830
MAJOR DIA: .9375 .600



These drawings are the sole property of and confidential information of KEE ACTION SPORTS. These drawings shall not be disclosed to any third party, reproduced or copied without the express written permission of KEE ACTION SPORTS. KEE ACTION SPORTS reserves the right to change design, material and/or specifications without notice and without incurring and liability for or any obligation to such changes. ©2010 KEE ACTION SPORTS, LLC.

MATERIAL: Material <not specified>				 KEE ACTION SPORTS 570 Mantua Blvd, Sewell, NJ 08080			
FINISH:							
DRAWN BY	DATE	CHECKED BY	DATE	ENG. DIR.	DATE	QA DIR	DATE
UNLESS OTHERWISE SPECIFIED DIMENSIONS ARE IN INCHES TOLERANCES ARE:				DESCRIPTION			
				DECIMALS	FRACTION	ANGLES	DRAFT
.XX	±.01	±.01	±1°	B	SPEC		
.XXX	±.005			SCALE: 1:1	SHEET 1 OF 1		